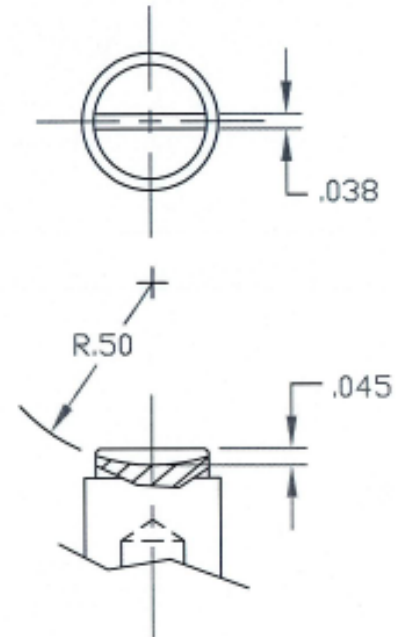
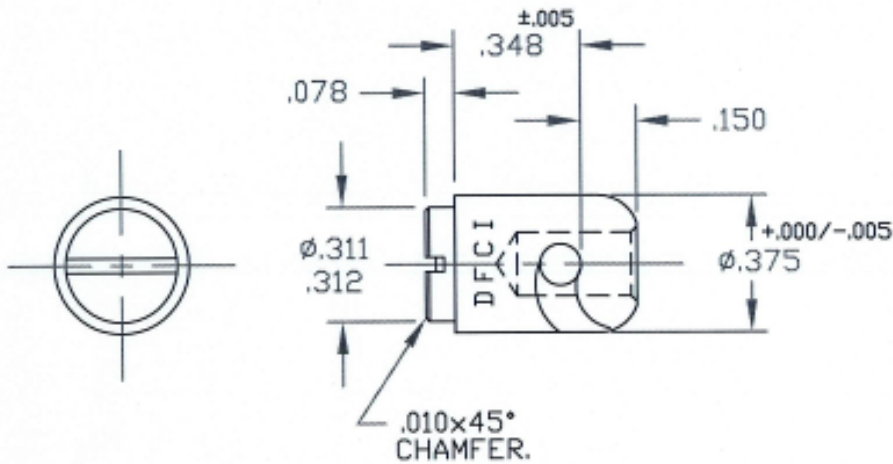


UNCONTROLLED

C1205-6-24571 REV. A

REVISIONS			
SYM	DESCRIPTION	DATE	APPROV
A	NITIAL RELEASE PER ECN 845.	8-2-07	<i>R. OLSON</i>



SLOT DETAIL

PART NO.
1205-6-24571-SS

MAT'L TYPE 303 ST. STEEL.	TOLERANCES ON DIMENSIONS UNLESS OTHERWISE SPECIFIED X° = ±2° .XX = ±.015 X/X = ±1/32 .XXX = ±.010 MACHINE FINISH 125/T			DFCI SOLUTIONS INC. 425 UNION BOULEVARD WEST ISLIP, NEW YORK 11795
	HEAT TREAT NONE.	PART NO.	DRN <i>S. F. Francis</i> DATE 8-2-07	
FINISH CLEAN & FREE OF BURRS.		CHK <i>F. Basil</i> DATE 8-3-07	ENG <i>R. OLSON</i> DATE 8/3/07	TITLE ST-1200 LINE S.S STUD, 1205-6-24571-SS.
<small>THE FASTENER PARTS SHOWN IN THIS PRINT ARE PROPRIETARY ARTICLES TO WHICH DFCI SOLUTIONS INC. RETAINS THE EXCLUSIVE RIGHTS OF MANUFACTURE, USE AND SALE. THE PRINT OR DRAWING IS SUBMITTED IN CONFIDENCE AND DOES NOT CONVEY A LICENSE OR PERMISSION TO MANUFACTURE THE FACTORS OR FASTENER PARTS. © COPYRIGHT 2005, DFCI SOLUTIONS INC. ALL RIGHTS RESERVED.</small>	NEXT ASSY	USED ON	MFG <i>B. Miller</i> DATE 8/3/07	SIZE A
	APPLICATION BLOCK	SALES	DATE	FSCM NO 72794
				DWG. NO. C1205-6-24571
				REV. A
				SCALE NTS WT.
				SHEET 1 OF 1

DATE: 07/01/06 FORM: DRAWING