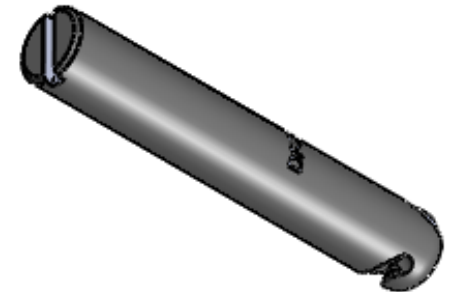
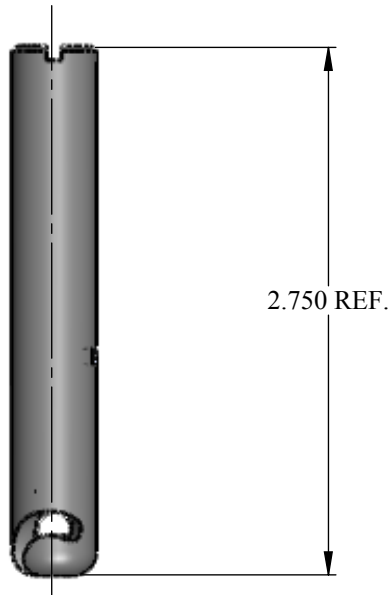
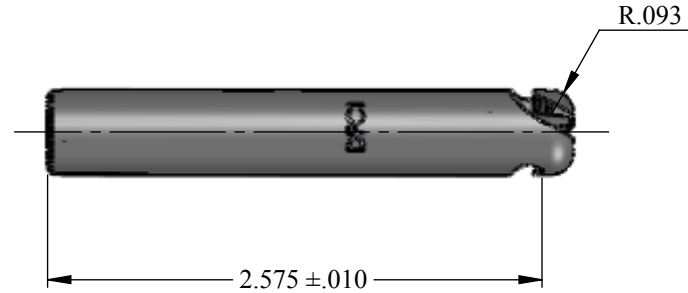
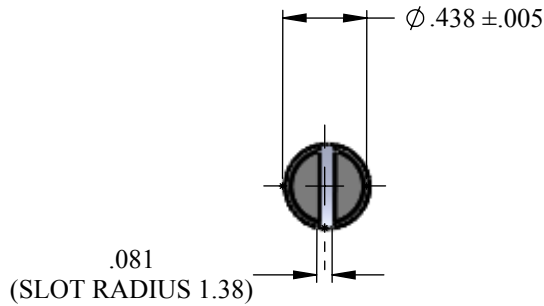


**UNCONTROLLED**

REVISIONS			
SYS	DESCRIPTION	DATE	APPROV
A	INITIAL RELEASE	02-13-13	



MATERIAL:	TYPE 303 STAINLESS STEEL
HEAT TREAT:	NONE
FINISH:	NONE
<small>THE FASTENER PARTS SHOWN IN THIS PRINT ARE PROPRIETARY ARTICLES TO WHICH DFCI SOLUTIONS INC., RETAINS THE EXCLUSIVE RIGHTS OF MANUFACTURE, USE AND SALE. THE PRINT OR DRAWING IS SUBMITTED IN CONFIDENCE AND DOES NOT CONVEY A LICENSE OR PERMISSION TO MANUFACTURE THE FASTENER OR FASTENER PARTS.</small>	
<small>(C) COPYRIGHT 2009, DFCI SOLUTIONS INC. ALL RIGHTS RESERVED.</small>	

TOLERANCES ON DIMENSIONS UNLESS OTHERWISE SPECIFIED			
$X^\circ = \pm 2^\circ$	$.XX = \pm .015$	MACHINE FINISH = 1257	
$X/X = \pm 1/32$	$.XXX = \pm .010$		
PART NO.	1205-7257-241892-SS	DRN	Frank Basile
		DATE	02-13-13
		CHK.	Frank Basile
		DATE	02-13-13
		ENG.	Robert Altkorn
		DATE	02-13-13
		MFG.	Rashm Lubman
		DATE	02-13-13
		Q.C.	Robert Altkorn
		DATE	02-13-13
NEXT ASSY	USED ON	SALES.	
APPLICATION BLOCK			

		<b>DFCI SOLUTIONS INC.</b> 425 UNION BOULEVARD. WEST ISLIP, NEW YORK 11795	
TITLE			
ST-1200 SIZE 7 STUD END			
1205-7257-241892-SS			
SIZE	FSCM NO.	DWG. NO.	REV.
A	72794	C1205-7-241892	A
SCALE: NTS		WEIGHT:	SHEET 1 OF 1