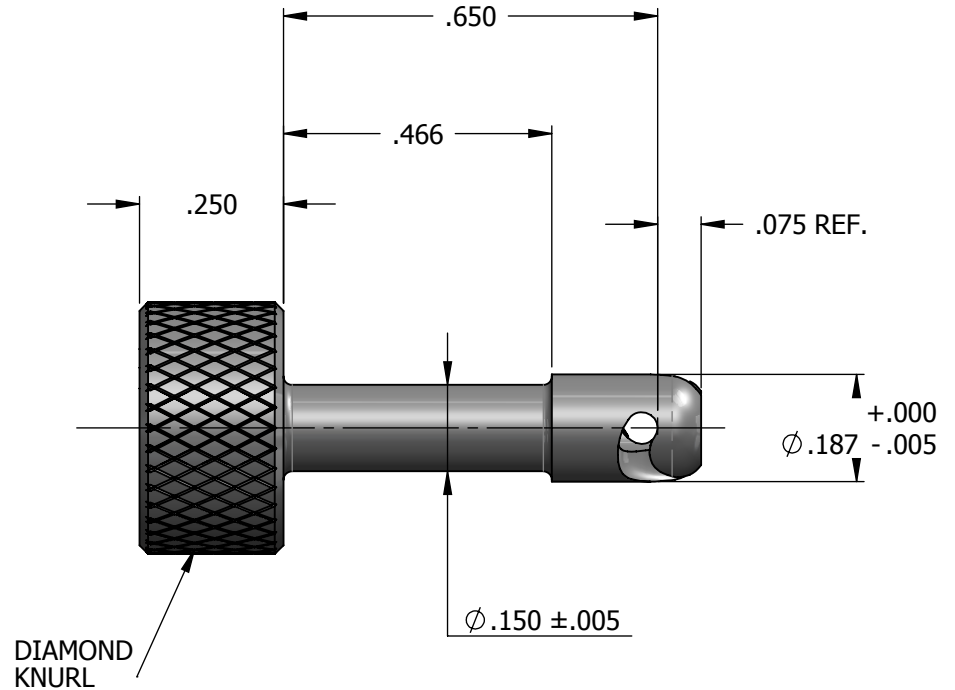
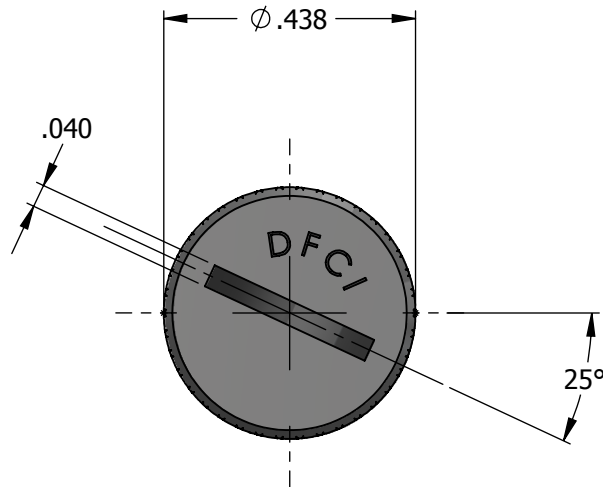




REVISIONS			
SYS	DESCRIPTION	DATE	APPROV
B	PER ECN 1243	05/16/14	F.B



**UNCONTROLLED**

MATERIAL:	TYPE 303 STAINLESS STEEL
HEAT TREAT:	NONE
FINISH:	NONE
<small>THE FASTENER PARTS SHOWN IN THIS PRINT ARE PROPRIETARY ARTICLES TO WHICH DFCI SOLUTIONS INC., RETAINS THE EXCLUSIVE RIGHTS OF MANUFACTURE, USE AND SALE. THE PRINT OR DRAWING IS SUBMITTED IN CONFIDENCE AND DOES NOT CONVEY A LICENSE OR PERMISSION TO MANUFACTURE THE FASTENER OR FASTENER PARTS.</small>	
<small>(C) COPYRIGHT 2009, DFCI SOLUTIONS INC. ALL RIGHTS RESERVED.</small>	

TOLERANCES ON DIMENSIONS UNLESS OTHERWISE SPECIFIED			
X* = ±2*		.XX = ±.015	
X/X = ±1/32		.XXX = ±.010	
MACHINE FINISH = .125			
PART NO.	1211-365-241870-SS	DRN	DATE
		Frank Basile	05/20/10
		CHK. Frank Basile	05/20/10
		ENG. Peter Altkorn	05/20/10
		MFG. Radu Iulian	05/20/10
		G.C. Peter Altkorn	05/20/10
NEXT ASSY	USED ON	SALES.	DATE



**DFCI SOLUTIONS INC.**  
 425 UNION BOULEVARD.  
 WEST ISLIP, NEW YORK 11795

TITLE				ST-1200 KNURLED HEAD STUD 1211-365-241870-SS			
SIZE	FSCM NO	DWG. NO.	C1211-3-241870		REV.	B	
A	72794			SCALE: NTS	WEIGHT:	SHEET 1 OF 1	