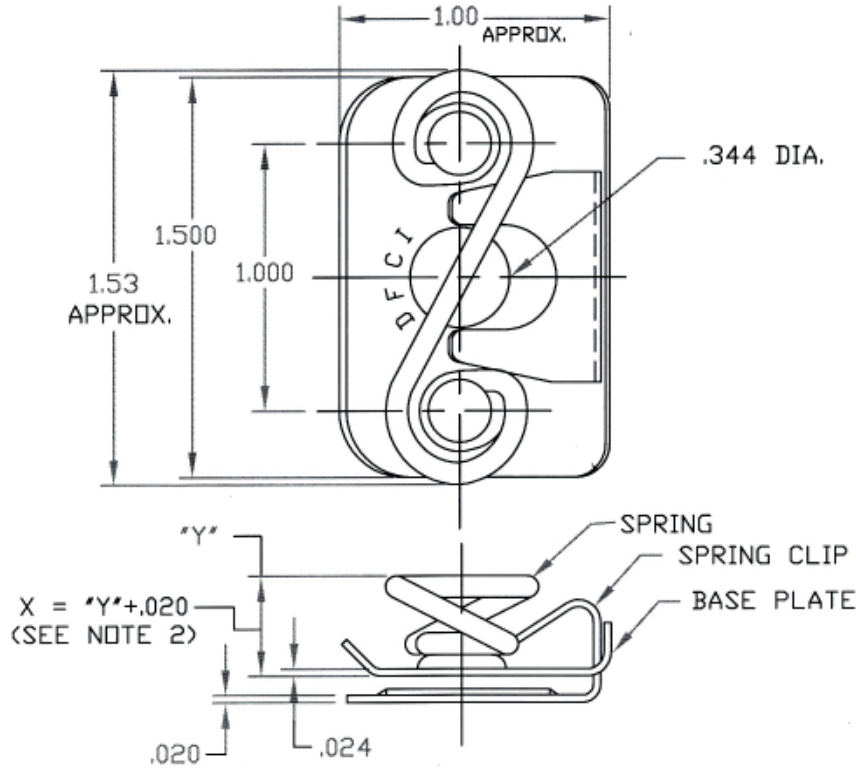


UNCONTROLLED

REVISIONS			
SYM	DESCRIPTION	DATE	APPROV
C	ADD 1.53 DIM'S PER ECN 1034	4-4-07	<i>R. OLSEN</i>



FOR PART NO. REFER TO SHEET 2


MAT'L PER NOTE 1.	TOLERANCES ON DIMENSIONS UNLESS OTHERWISE SPECIFIED X* = ±2* .XX = ±.015 X/X = ±1/32 .XXX = ±.010		MACHINE FINISH 125T		DFCI SOLUTIONS INC. 425 UNION BOULEVARD WEST ISLIP, NEW YORK 11795
HEAT TREAT PER NOTE 1.	PART NO.	DRN <i>S. FRANCO</i>	DATE 9-27-05	FILE	
FINISH PER NOTE 3.		CHK <i>J. Basile</i>	DATE 4-4-07	ST-1200 RECEPTACLE ASSY. 1219-L5-xxx-Z3CT.	
		ENG <i>R. OLSEN</i>	DATE 4/4/07	SIZE A	FSCM NO 72794
		MFG <i>JS</i>	DATE 4-4-07	DWG. NO. C1219-L5	REV. C
THE FASTENER PARTS SHOWN IN THIS PRINT ARE PROPRIETARY ARTICLES TO WHICH DFCI SOLUTIONS INC. RETAINS THE EXCLUSIVE RIGHTS OF MANUFACTURE, USE AND SALE. THE PRINT OR DRAWING IS SUBMITTED IN CONFIDENCE AND DOES NOT CONVEY A LICENSE OR PERMISSION TO MANUFACTURE THE FASTENER OR FASTENER PARTS. © COPYRIGHT 2003, DFCI SOLUTIONS INC. ALL RIGHTS RESERVED.		NEXT ASSY	USED ON	QC <i>B. H. Labell</i>	DATE 4/14/07
DATE: 07/01/06		FORM: DRAWING		SCALE NTS	WT.
APPLICATION BLOCK				SALES	DATE
				SHEET	1 OF 2

UNCONTROLLED

REVISIONS			
SYM	DESCRIPTION	DATE	APPROV
C	ADD 1.53 DIM'S PER ECN 1034	4-4-07	<i>R.OLB</i>

RECEPTACLE ASSY. P/N	SUPPORT THICKNESS		"X"	"Y"
	MIN.	MAX.		
1219-L5-280-Z3CT	.036	.128	.280	.260
1219-L5Y-280-Z3CT	.130	.220		
1219-L5-305-Z3CT	.036	.128	.305	.285
1219-L5Y-305-Z3CT	.130	.220		
1219-L5-330-Z3CT	.036	.128	.330	.310
1219-L5Y-330-Z3CT	.130	.220		
1219-L5-355-Z3CT	.036	.128	.355	.335
1219-L5Y-355-Z3CT	.130	.220		

- NOTES:
- MATERIALS**
 SPRING: MUSIC WIRE PER ASTM-A-228.
 SPRING CLIP: CARBON STEEL, HEAT TREAT TO SPRING TEMPER.
 BASE PLATE: COLD ROLL STEEL.
 - DIMENSION "X" IS THE RECEPTACLES CONTRIBUTION TO MATERIAL PILE-UP INCLUDES SPRING HEIGHT.**
 - FINISH:**
 ZINC PLATE PER ASTM-B-633, TYPE III, SC 2, CLEAR TRIVALENT CHROMATE WITH SEALER. (ROHS COMPLIANT) FINISH SUFFIX: -Z3CT
 THE ABOVE MENTIONED FINISH WILL BE SUPPLIED AS THE STANDARD FINISH UPON DEPLETION OF EXISTING STOCK WHICH ARE FINISHED AS FOLLOWS:
 ZINC PLATE PER ASTM-B-633, TYPE II, SC 2. YELLOW CHROMATE. (FINISH SUFFIX: -Z3Y)
 - FOR THE APPLICATION OF ALTERNATIVE FINISHES, REMOVE SUFFIX -Z3CT FROM THE PART NO. AND ADD THE REQUIRED FINISH TO THE PART NO. SUFFIX. *EXAMPLE FOR BLACK ZINC TRIVALENT CHROMATE THE P/N WILL BE 1219-L5-280-Z3BT.**
 - PLEASE VISIT WWW.DFCIS.COM/C1219-L5 FOR A LIST OF AVAILABLE FINISHES.**

MAT'L PER NOTE 1.	TOLERANCES ON DIMENSIONS UNLESS OTHERWISE SPECIFIED $X = \pm 2^*$.XX = $\pm .015$ $X/X = \pm 1/32$.XXX = $\pm .010$ MACHINE FINISH 125T		 DFCI SOLUTIONS INC. 425 UNION BOULEVARD WEST ISLIP, NEW YORK 11795	
HEAT TREAT PER NOTE 3.	PART NO.	DRN <i>S. Francis</i>	DATE 9-27-05	ST-1200 RECEPTACLE ASSY. 1219-L5-xxx-Z3CT.
FINISH PER NOTE 3.		CHK <i>F. Bardi</i>	DATE 4/4/07	
		ENG <i>R. OLB</i>	DATE 4/4/07	
		MFG <i>JS</i>	DATE 4-4-07	
THE FASTENER PARTS SHOWN IN THIS PRINT ARE PROPRIETARY ARTICLES TO WHICH DFCI SOLUTIONS INC. RETAINS THE EXCLUSIVE RIGHTS OF MANUFACTURE, USE AND SALE. THE PRINT OR DRAWING IS SUBMITTED IN CONFIDENCE AND DOES NOT CONVEY A LICENSE OR PERMISSION TO MANUFACTURE THE FASTENERS OR FASTENER PARTS. © COPYRIGHT 2009, DFCI SOLUTIONS INC. ALL RIGHTS RESERVED. DATE: 07/01/06 FORM: DRAWING	NEXT ASSY	USED ON	QC <i>B. Hildebrand</i>	DATE 4-4-07
APPLICATION BLOCK		SALES	DATE	SIZE A FSCM NO 72794 DWG. NO. C1219-L5 REV. C SCALE NTS WT. SHEET 2 OF 2