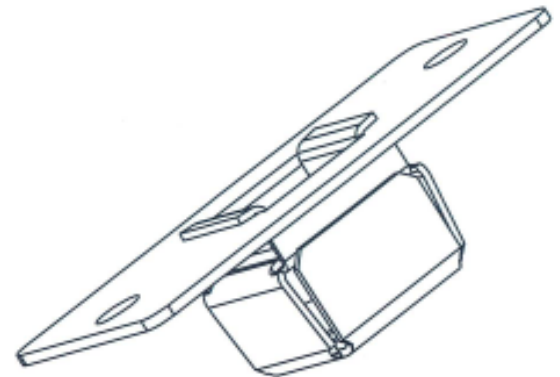
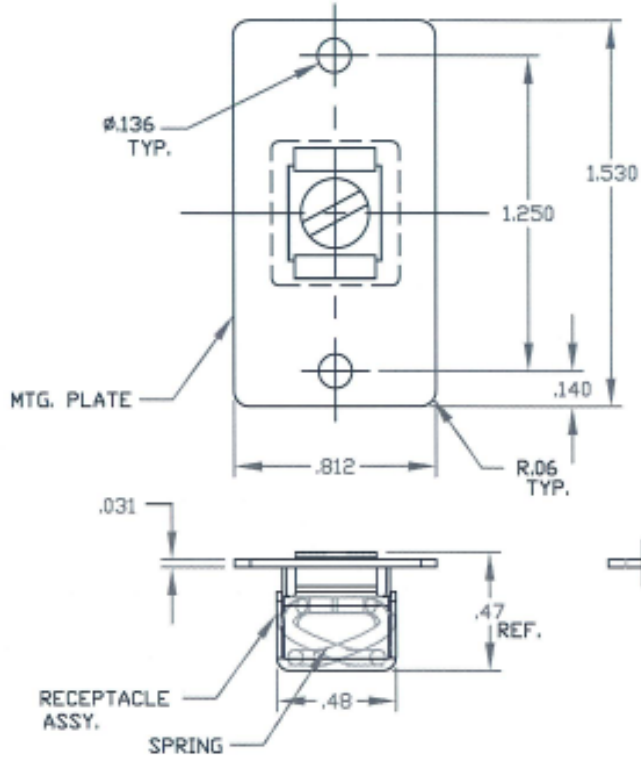


UNCONTROLLED

C1219-QC4-241836 SHT. 1 of 2 REV. C

REVISIONS			
SYM	DESCRIPTION	DATE	APPROV
C	PLT. DIM'S CHNG PER ECN 981	8-3-06	R. OLSEN



PART NO.
1219-QC4-241836


MAT'L SEE SHT. 2, NOTE 1.	TOLERANCES ON DIMENSIONS UNLESS OTHERWISE SPECIFIED X° = ±2° .XX = ±.015 X/X = ±1/32 .XXX = ±.010		MACHINE FINISH 125T		DFCI SOLUTIONS INC. 425 UNION BOULEVARD WEST ISLIP, NEW YORK 11795
HEAT TREAT SEE SHT. 2, NOTE 1.	PART NO.	DRN S. FRAYAS	DATE 5-19-06	SIZE A	
FINISH SEE SHT. 2, NOTE 2		CHK F. Basil	DATE 8-7-06	FSCM NO 72794	DWG. NO. C1219-QC4-241836
<small>THE FASTENER PARTS SHOWN IN THIS PRINT ARE PROPRIETARY ARTICLES TO WHICH DFCI SOLUTIONS INC. RETAINS THE EXCLUSIVE RIGHTS OF MANUFACTURE, USE AND SALE. THE PRINT OR DRAWING IS SUBMITTED IN CONFIDENCE AND DOES NOT CONVEY A LICENSE OR PERMISSION TO MANUFACTURE THE FASTENER OR FASTENER PARTS. © COPYRIGHT 2006, DFCI SOLUTIONS INC. ALL RIGHTS RESERVED.</small>	NEXT ASSY	USED ON	DATE 8/7/06	SCALE NTS	WT.
	APPLICATION BLOCK	SALES	DATE	SHEET 1 OF 2	

UNCONTROLLED

REVISIONS			
SYM	DESCRIPTION	DATE	APPROV
C	PLT. DIM'S CHNG PER ECN 981	8-3-06	<i>R. OLSON</i>

NOTES:

- MATERIAL:
BACK PLATE & CAGE:
 PER A.I.S.I 1074 STEEL, HEAT TREATED TO SPRING TEMPER.
 SPRING: MUSIC WIRE PER ASTM-A-228. HEAT TREATED TO SPRING TEMPER.
 MTG. PLATE: TYPE 304 ST. STEEL.
- FINISH OF:
BACK PLATE, CAGE & SPRING.
 ZINC PLATE PER ASTM-B-633 TYPE III,
 SC 2, TRIVALENT CLEAR CHROMATE
 WITH SEALER.
MTG. PLATE:
 ST. STEEL: NATURAL.
- PLEASE VISIT www.dfci.com/dzfinish.html
 FOR A LIST OF AVAILABLE FINISHES.

MAT'L PER NOTE 1.	TOLERANCES ON DIMENSIONS UNLESS OTHERWISE SPECIFIED $X^+ = \pm 2^*$.XX = $\pm .015$ $X/X = \pm 1/32$.XXX = $\pm .010$ MACHINE FINISH 125T		 DFCI SOLUTIONS INC. 425 UNION BOULEVARD WEST ISLIP, NEW YORK 11795	
HEAT TREAT PER NOTE 1.	PART NO.	DRN <i>S. FRANJUS</i>	DATE 5-19-06	ST-1200 RECEPTACLE ASSY. 1219-QC4-241836
FINISH PER NOTE 2		CHK <i>F. Basile</i>	DATE 8-7-06	
		ENG <i>ROUSSON</i>	DATE 8/7/06	SIZE A
		MFG <i>JS</i>	DATE 8-7-06	FSCM NO 72794
	NEXT ASSY	USED ON	DATE <i>8/7/06</i>	DWG. NO. C1219-QC4-241836
	APPLICATION BLOCK	SALES	DATE	REV. C
				SCALE NTS
				WT.
				SHEET 2 OF 2

DATE: 07/01/06 FORM: DRAWING