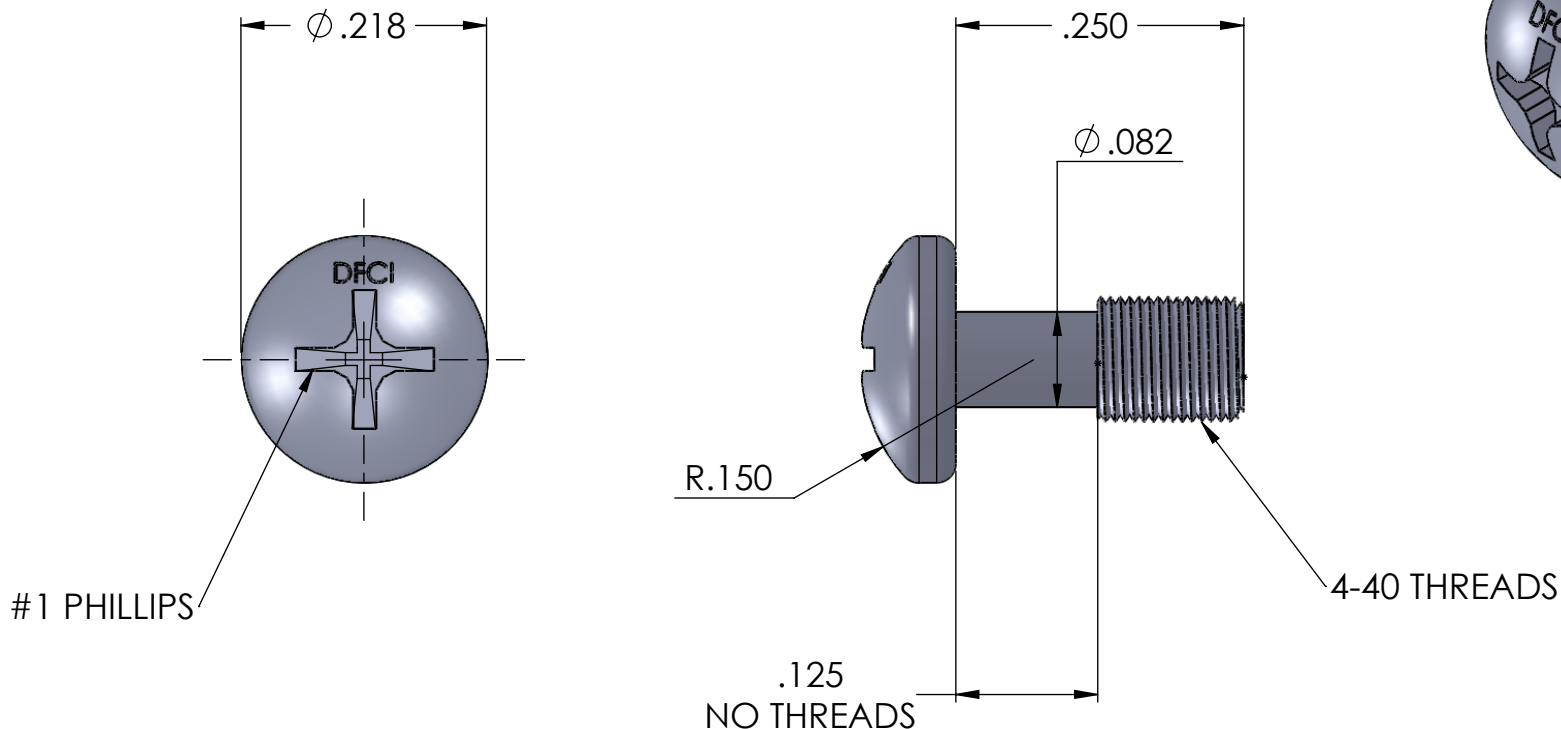
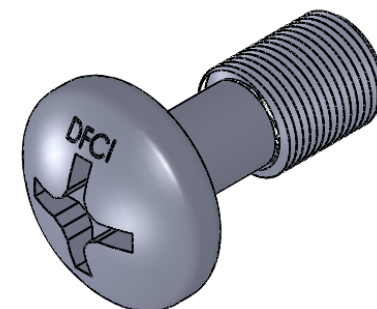


UNCONTROLLED

REVISIONS			
SYS	DESCRIPTION	DATE	APPROV
A	INITIAL RELEASE	04-29-13	



MATERIAL:	TYPE 302 STAINLESS STEEL
HEAT TREAT:	NONE
FINISH:	NONE
<small>THE FASTENER PARTS SHOWN IN THIS PRINT ARE PROPRIETARY ARTICLES TO WHICH DFCI SOLUTIONS INC., RETAINS THE EXCLUSIVE RIGHTS OF MANUFACTURE, USE AND SALE. THE PRINT OR DRAWING IS SUBMITTED IN CONFIDENCE AND DOES NOT CONVEY A LICENSE OR PERMISSION TO MANUFACTURE THE FASTENER OR FASTENER PARTS.</small>	
<small>(C) COPYRIGHT 2009, DFCI SOLUTIONS INC. ALL RIGHTS RESERVED.</small>	

TOLERANCES ON DIMENSIONS UNLESS OTHERWISE SPECIFIED			
$X^{\circ} = \pm 2^{\circ}$		$.XX = \pm .015$	
$X/X = \pm 1/32$		$.XXX = \pm .010$	
MACHINE FINISH = 125/7			
PART NO.	DRN	DATE	
	Frank Basile	04-29-13	
	CHK. Frank Basile	04-29-13	
	ENG. <i>[Signature]</i>	04-29-13	
	MFG. <i>[Signature]</i>	04-29-13	
	Q.C. <i>[Signature]</i>	04-29-13	
	SALES.	DATE	

DFCI SOLUTIONS INC.
 425 UNION BOULEVARD.
 WEST ISLIP, NEW YORK 11795

TITLE		CAPTIVE SCREW	
		121J-325-241898-SS	
SIZE	FSCM NO.	DWG. NO.	REV.
A	72794	C121J-3-241898	A
SCALE: NTS		WEIGHT:	SHEET 1 OF 1