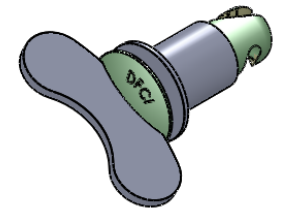
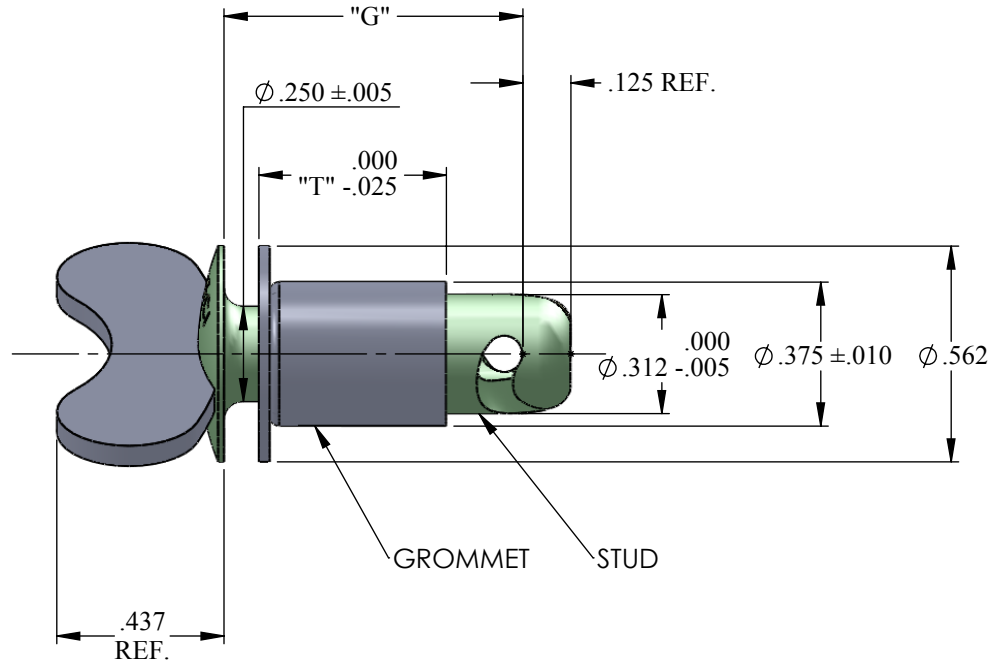
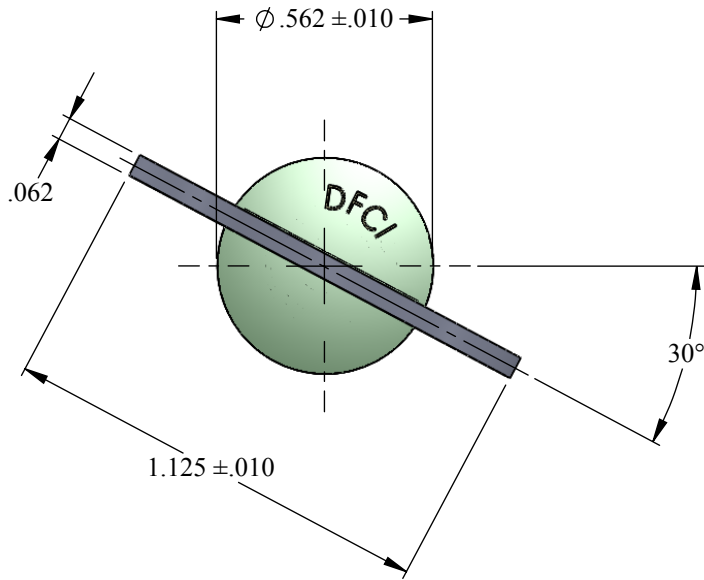


| REVISIONS | | | |
|-----------|--------------------|---------|--------|
| SYS | DESCRIPTION | DATE | APPROV |
| C | PER ECN 845 & 1168 | 11-3-11 | FB |



UNCONTROLLED

| | | | |
|--|---|-------------------------------|------------------------|
| MATERIAL: NOTED | TOLERANCES ON DIMENSIONS UNLESS OTHERWISE SPECIFIED | | |
| HEAT TREAT: NOTED | X* = ±2° | .XX = ±.015 | MACHINE FINISH = 125/7 |
| FINISH: NOTED | X/X = ±1/32 | .XXX = ±.010 | |
| <small>THE FASTENER PARTS SHOWN IN THIS PRINT ARE PROPRIETARY ARTICLES TO WHICH DFCI SOLUTIONS INC., RETAINS THE EXCLUSIVE RIGHTS OF MANUFACTURE, USE AND SALE. THE PRINT OR DRAWING IS SUBMITTED IN CONFIDENCE AND DOES NOT CONVEY A LICENSE OR PERMISSION TO MANUFACTURE THE FASTENER OR FASTENER PARTS.</small> (C) COPYRIGHT 2009, DFCI SOLUTIONS INC. ALL RIGHTS RESERVED. | PART NO. 121J-W5**T***-Z3CT | DRN <i>Frank Basile</i> | DATE 11-3-11 |
| | | CHK. <i>Frank Basile</i> | DATE 11-3-11 |
| | | ENG. <i>Robert Altkorn</i> | DATE 11-3-11 |
| | | MFG. <i>Charles J. Paniel</i> | DATE 11-3-11 |
| | | G.C. <i>Robert Altkorn</i> | DATE 11-3-11 |
| NEXT ASSY | USED ON | SALES. | DATE |
| APPLICATION BLOCK | | | |



DFCI SOLUTIONS INC.
 425 UNION BOULEVARD.
 WEST ISLIP, NEW YORK 11795

| | | | |
|---|----------------|---------------------|--------------|
| TITLE ST-1200 STUD AND GROMMET ASSEMBLY 121J-W5**T***-Z3CT | | | |
| SIZE A | FSCM NO. 72794 | DWG. NO. C121J-W5-T | REV. C |
| SCALE: NTS | | WEIGHT: | SHEET 1 OF 2 |


| REVISIONS | | | |
|-----------|--------------------|---------|--------|
| SYS | DESCRIPTION | DATE | APPROV |
| C | PER ECN 845 & 1168 | 11-3-11 | FB |

NOTES:

- MATERIAL:
STUD: A.I.S.I. 8620 OR 10B21 STEEL
GROMMET: 3003-H14 OR 1100-H14 ALUMINUM
- HEAT TREAT:
STUD: ROCKWELL C27-33
- FINISH:
STUD: ZINC PLATE PER ASTM-B-633, TYPE III, SC2
CLEAR TRIVALENT CHROMATE WITH SEALER
(RoHS COMPLIANT)
- FOR THE APPLICATION OF ALTERNATIVE FINISHES
REMOVE SUFFIX -Z3CT FROM THE PART NUMBER
AND ADD THE REQUIRED FINISH SUFFIX TO THE
PART NUMBER. EXAMPLE, FOR YELLOW ZINC
TRIVALENT CHROMATE FINISH THE PART NUMBER
WILL BE 121J-W570T460-Z3YT
- PLEASE VISIT WWW.DFCIS.COM/C121J-W5-T
FOR AN AVAILABLE LIST OF FINISHES.

| ASSY PART NO. | STUD P/N | GROMMET P/N | T DIM. | G DIM. |
|--------------------|----------------|-------------|--------|--------|
| 121J-W550T460-Z3CT | 121J-W550-Z3CT | 127S-A5T460 | .460 | .500 |
| 121J-W570T460-Z3CT | 121J-W570-Z3CT | 127S-A5T460 | .460 | .700 |
| 121J-W590T650-Z3CT | 121J-W590-Z3CT | 127S-A5T650 | .650 | .900 |
| | | | | |
| | | | | |
| | | | | |
| | | | | |

UNCONTROLLED

| | | | | |
|---|---|---|--|--|
| MATERIAL: NOTED | TOLERANCES ON DIMENSIONS UNLESS OTHERWISE SPECIFIED X* = ±2° .XX = ±.015 X/X = ±1/32 .XXX = ±.010 MACHINE FINISH = .125 | | |  DFCI SOLUTIONS INC. 425 UNION BOULEVARD. WEST ISLIP, NEW YORK 11795 |
| HEAT TREAT: NOTED | PART NO. 121J-W5**T***-Z3CT | DRN <i>Frank Basile</i> DATE 11-3-11 | CHK. <i>Frank Basile</i> DATE 11-3-11 | |
| FINISH: NOTED | | ENG. <i>Robert Altkorn</i> DATE 11-3-11 | MFG. <i>Charles J. Parnis</i> DATE 11-3-11 | |
| THE FASTENER PARTS SHOWN IN THIS PRINT ARE PROPRIETARY ARTICLES TO WHICH DFCI SOLUTIONS INC., RETAINS THE EXCLUSIVE RIGHTS OF MANUFACTURE, USE AND SALE. THE PRINT OR DRAWING IS SUBMITTED IN CONFIDENCE AND DOES NOT CONVEY A LICENSE OR PERMISSION TO MANUFACTURE THE FASTENER OR FASTENER PARTS. (C) COPYRIGHT 2009, DFCI SOLUTIONS INC. ALL RIGHTS RESERVED. | NEXT ASSY | USED ON | G.C. <i>Robert Altkorn</i> DATE 11-3-11 | TITLE ST-1200 STUD AND GROMMET ASSEMBLY 121J-W5**T***-Z3CT |
| | APPLICATION BLOCK | | SALES. | DATE |