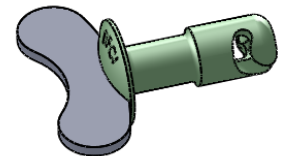
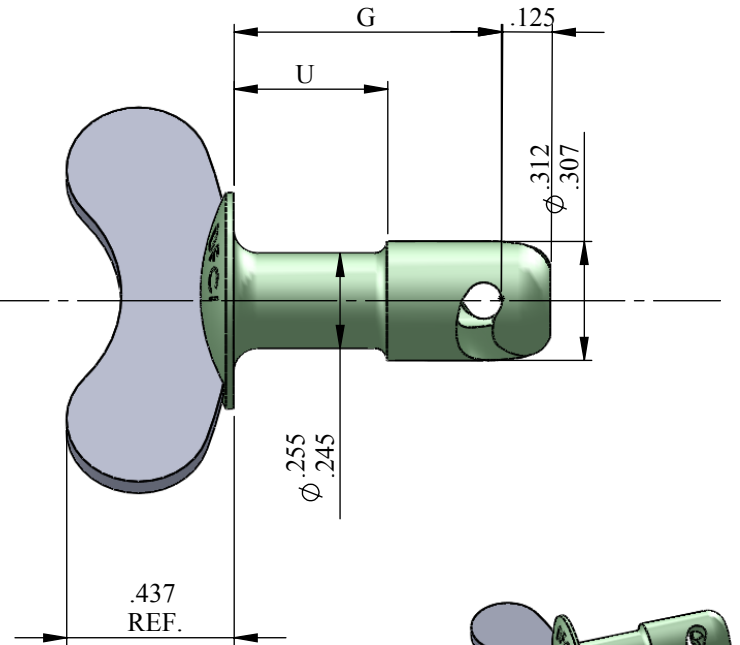
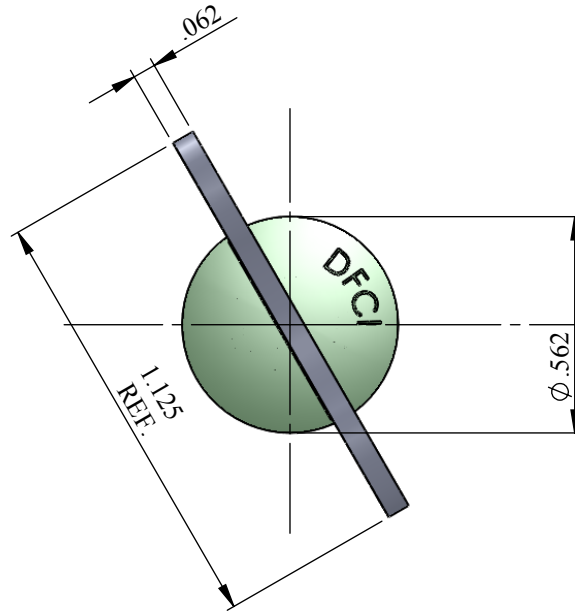


NOTES: *Unless otherwise specified.*

- MATERIAL:
STUD: A.I.S.I. 8620 STEEL OR STAINLESS STEEL TYPE 303
WING: A.I.S.I. C1010 - C1008 STEEL OR STAINLESS STEEL TYPE 302
FOR A STAINLESS STEEL STUD AND WING REMOVE THE SUFFIX Z3CT FROM THE PART NUMBER AND ADD "SS"
EXAMPLE: 121J-W565-SS
- PLEASE VISIT www.dfci.com/c121j-w5 FOR A LIST OF AVAILABLE FINISHES.
- FINISH: ZINC PLATE PER ASTM-B-633, TYPE III, SC2, CLEAR TRIVALENT CHROMATE WITH SEALER.

REVISIONS			
SYS	DESCRIPTION	DATE	APPROV
B	PER ECN 1168	11-15-10	

PART NUMBER	G	U
121J-W530-Z3CT	.300	
121J-W535-Z3CT	.350	.125
121J-W540-Z3CT	.400	
121J-W545-Z3CT	.450	.190
121J-W550-Z3CT	.500	.250
121J-W555-Z3CT	.550	.275
121J-W560-Z3CT	.600	.300
121J-W565-Z3CT	.650	.350
121J-W570-Z3CT	.700	.400
121J-W575-Z3CT	.750	.500
121J-W580-Z3CT	.800	
121J-W585-Z3CT	.850	.600
121J-W590-Z3CT	.900	
121J-W595-Z3CT	.950	
121J-W5100-Z3CT	1.000	
121J-W5110-Z3CT	1.100	
121J-W5120-Z3CT	1.200	.700
121J-W5130-Z3CT	1.300	
121J-W5140-Z3CT	1.400	
121J-W5150-Z3CT	1.500	



UNCONTROLLED

MATERIAL:	SEE NOTE 1
HEAT TREAT:	ROCKWELL C27-33 STEEL STUD ONLY
FINISH:	SEE NOTE 4
<small>THE FASTENER PARTS SHOWN IN THIS PRINT ARE PROPRIETARY ARTICLES TO WHICH DFCI SOLUTIONS INC., RETAINS THE EXCLUSIVE RIGHTS OF MANUFACTURE, USE AND SALE. THE PRINT OR DRAWING IS SUBMITTED IN CONFIDENCE AND DOES NOT CONVEY A LICENSE OR PERMISSION TO MANUFACTURE THE FASTENER OR FASTENER PARTS.</small>	
<small>(C) COPYRIGHT 2009, DFCI SOLUTIONS INC. ALL RIGHTS RESERVED.</small>	

TOLERANCES ON DIMENSIONS UNLESS OTHERWISE SPECIFIED			
	X* = ±1/2"	.XX = ±.015	CONCENTRICITY F.I.M. .005
	X/X = ±1/64	.XXX = ±.010	MACHINE FINISH = 125
PART NO.	DRN	DATE	
	<i>F. Basile</i>	11-15-10	
	CHK.	DATE	
	<i>Frank Basile</i>	11-15-10	
	ENG.	DATE	
	<i>Bob Altkorn</i>	11-15-10	
	MFG.	DATE	
	<i>Bill Velazquez</i>	11-15-10	
	G.C.	DATE	
	<i>Bob Altkorn</i>	11-15-10	
NEXT ASSY	USED ON	SALES.	DATE
APPLICATION BLOCK			



DFCI SOLUTIONS INC.
425 UNION BOULEVARD.
WEST ISLIP, NEW YORK 11795

TITLE		ST-1200 WING HEAD STUD 121J-W5***-Z3CT	
SIZE	FSCM NO.	DWG. NO.	REV.
A	72794	C121J-W5	B
SCALE: NTS		WEIGHT:	SHEET 1 OF 1