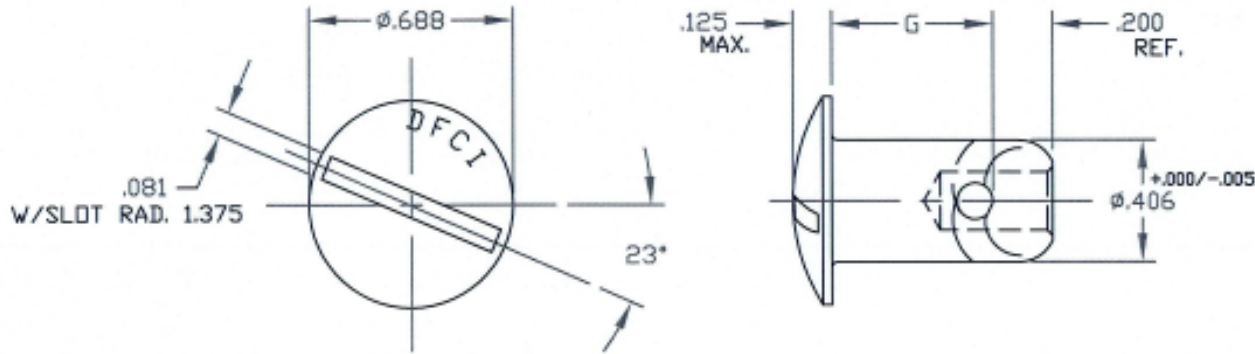


UNCONTROLLED

C121N-65AL REV. A

REVISIONS			
SYM	DESCRIPTION	DATE	APPROV
A	INITIAL RELEASE PER ECN 845.	9-26-07	<i>R. Basil</i>



PART NO.	G
121N-6540-AL	.400
121N-6545-AL	.450
121N-6550-AL	.500
121N-6555-AL	.550
121N-6560-AL	.600
121N-6565-AL	.650

MATL 7075-T6 ALUM. BAR. PER QQ-A-225/9.		TOLERANCES ON DIMENSIONS UNLESS OTHERWISE SPECIFIED $X = \pm 2^{\circ}$ $.XX = \pm .015$ $X/X = \pm 1/32$ $.XXX = \pm .010$ MACHINE FINISH 125		DFCI SOLUTIONS INC. 425 UNION BOULEVARD WEST ISLIP, NEW YORK 11795	
HEAT TREAT NONE.		PART NO. S. FRANCOIS DATE 10-28-99		TITLE ST-1200 LINE ALUM. STUD, 121N-65xx-AL.	
FINISH NATURAL.		CHK <i>F. Basil</i> DATE 10-3-07		SIZE A FSCM NO. 72794	
<small>THE FASTENER PARTS SHOWN IN THIS PRINT ARE PROPRIETARY ARTICLES TO WHICH DFCI SOLUTIONS, INC. RETAINS THE EXCLUSIVE RIGHTS OF MANUFACTURE, USE AND SALE. THE PRINT OR DRAWING IS SUBMITTED IN CONFIDENCE AND DOES NOT CONVEY A LICENSE OR PERMISSION TO MANUFACTURE THE PARTS OR FASTENER PARTS.</small>		ENG <i>R. OLSEN</i> DATE 10/3/07		DWG. NO. C121N-65AL	
DATE: 07/01/06 FORM: DRAWING		MFG <i>[Signature]</i> DATE 10-2-07		REV. A	
COO <i>B. Hill</i> DATE 10/3/07		SALES DATE		SCALE NTS WT.	
APPLICATION BLOCK		NEXT ASSY USED ON		SHEET 1 OF 1	