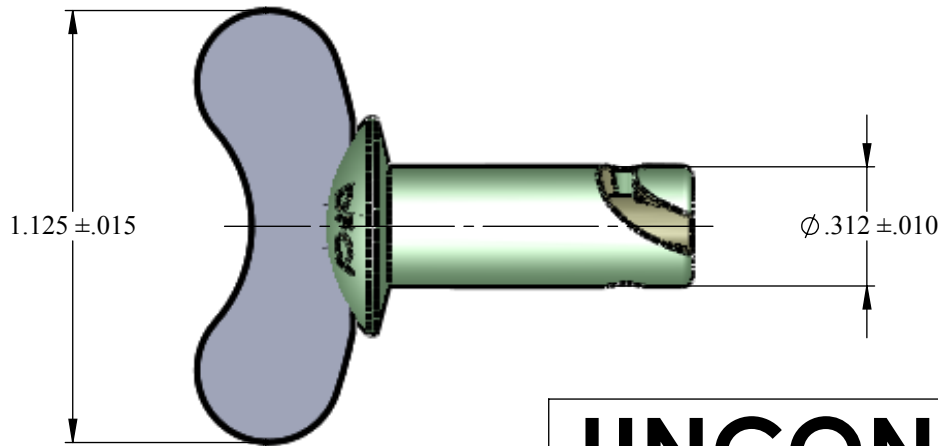
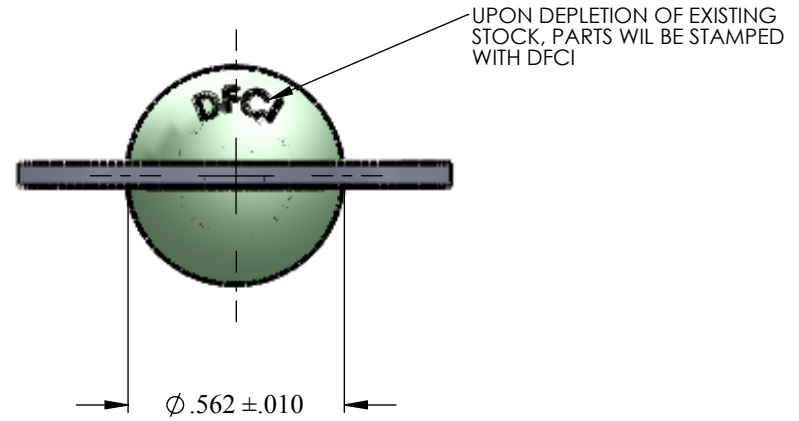
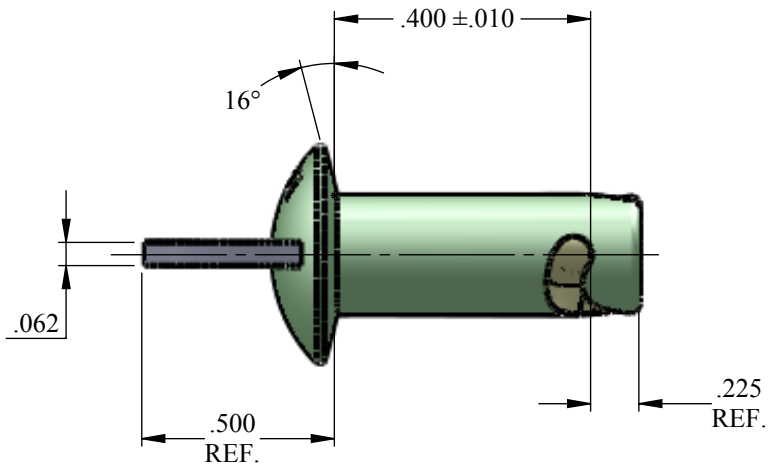
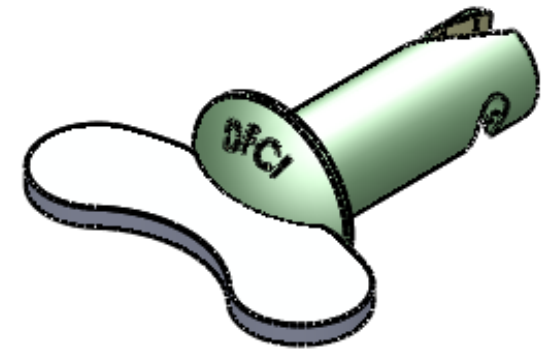


REVISIONS			
SYS	DESCRIPTION	DATE	APPROV
A	INITIAL RELEASE	08-12-11	



UNCONTROLLED



MATERIAL:	10B21 STEEL
HEAT TREAT:	ROCKWELL C34 - 38
FINISH:	BLACK BEAR (RUST INHIBITOR)
<small>THE FASTENER PARTS SHOWN IN THIS PRINT ARE PROPRIETARY ARTICLES TO WHICH DFCI SOLUTIONS INC., RETAINS THE EXCLUSIVE RIGHTS OF MANUFACTURE, USE AND SALE. THE PRINT OR DRAWING IS SUBMITTED IN CONFIDENCE AND DOES NOT CONVEY A LICENSE OR PERMISSION TO MANUFACTURE THE FASTENER OR FASTENER PARTS.</small> (C) COPYRIGHT 2009, DFCI SOLUTIONS INC. ALL RIGHTS RESERVED.	

TOLERANCES ON DIMENSIONS UNLESS OTHERWISE SPECIFIED			
X* = ±2°	.XX = ±.015	MACHINE FINISH = 125/7	
X/X = ±1/32	.XXX = ±.010		
PART NO.	121N-W540-24993-BB	DRN	DATE
		Frank Basile	08-12-11
		CHK.	DATE
		Frank Basile	08-12-11
		ENG.	DATE
		Robert Altkorn	08-12-11
		MFG.	DATE
		Charles J. Parnell	08-12-11
		G.C.	DATE
		Robert Altkorn	08-12-11
NEXT ASSY	USED ON	SALES.	DATE
APPLICATION BLOCK			

		DFCI SOLUTIONS INC. 425 UNION BOULEVARD. WEST ISLIP, NEW YORK 11795	
TITLE			
ST-1200 LINE WING HEAD STUD 121N-W540-24993-BB			
SIZE	FSCM NO.	DWG. NO.	REV.
A	72794	C121N-W5-24993	A
SCALE: NTS		WEIGHT:	SHEET 1 OF 1