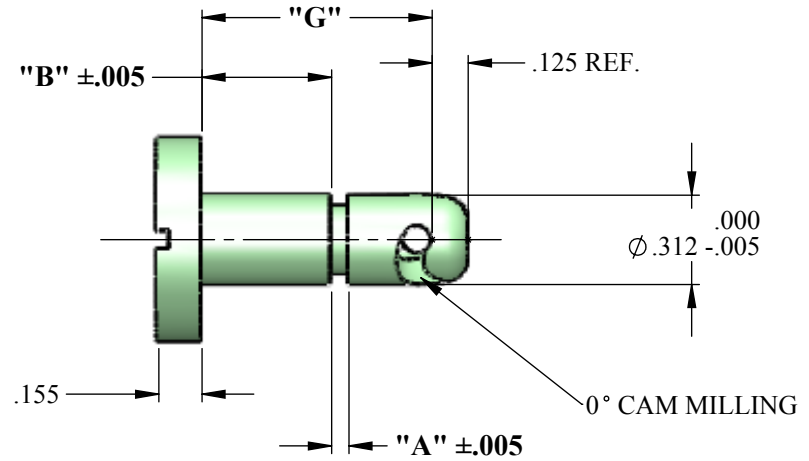
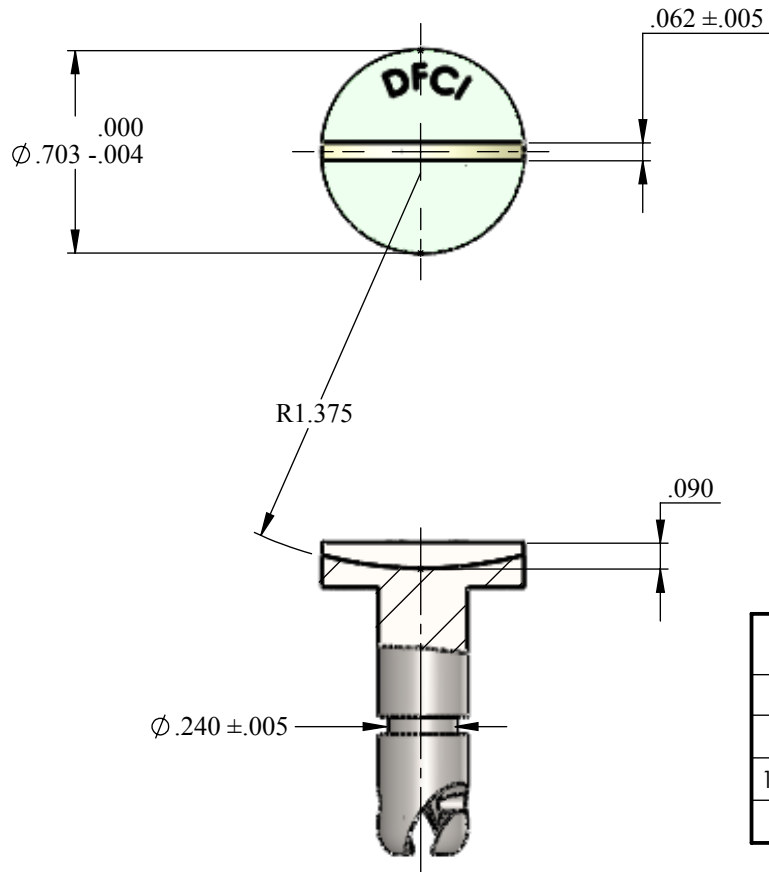
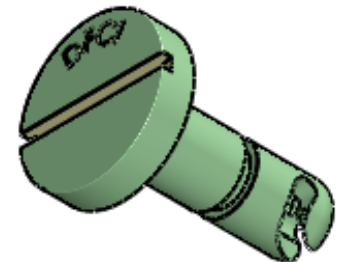


UNCONTROLLED

REVISIONS			
SYS	DESCRIPTION	DATE	APPROV
E	PER ECN 1168 & 1215	10-17-12	



PART NUMBER	"G" DIMENSION	"B" DIMENSION	"A" DIMENSION
1223-580-24768-SS	.800	.450	.060
1223-5120-24768-SS	1.200	.450	.060
1223-5120-24768A-SS	1.200	.960	.030
1223-5140-24768-SS	1.400	.960	.030



MATERIAL:	TYPE 303 STAINLESS STEEL
HEAT TREAT:	NONE
FINISH:	NONE
<small>THE FASTENER PARTS SHOWN IN THIS PRINT ARE PROPRIETARY ARTICLES TO WHICH DFCI SOLUTIONS INC., RETAINS THE EXCLUSIVE RIGHTS OF MANUFACTURE, USE AND SALE. THE PRINT OR DRAWING IS SUBMITTED IN CONFIDENCE AND DOES NOT CONVEY A LICENSE OR PERMISSION TO MANUFACTURE THE FASTENER OR FASTENER PARTS.</small>	
<small>(C) COPYRIGHT 2009, DFCI SOLUTIONS INC. ALL RIGHTS RESERVED.</small>	

TOLERANCES ON DIMENSIONS UNLESS OTHERWISE SPECIFIED			
<small>X* = ±2°</small>		<small>.XX = ±.015</small>	
<small>X/X = ±1/32</small>		<small>.XXX = ±.010</small>	
<small>MACHINE FINISH = 125/7</small>			
PART NO.	1223-5***-24768-SS	DRN	Frank Basile
		DATE	10-17-12
		CHK.	Frank Basile
		DATE	10-17-12
		ENG.	Robert Alldredge
		DATE	10-17-12
		MFG.	Rashid Lubman
		DATE	10-17-12
		G.C.	Robert Alldredge
		DATE	10-17-12
NEXT ASSY	USED ON	SALES	
APPLICATION BLOCK			



DFCI SOLUTIONS INC.
425 UNION BOULEVARD.
WEST ISLIP, NEW YORK 11795

ST-1200 SIZE 5 STAINLESS STEEL STUD
1223-5***-24768-SS

SIZE	FSCM NO.	DWG. NO.	REV.
A	72794	C1223-5-24768	E

SCALE: NTS WEIGHT: SHEET 1 OF 1