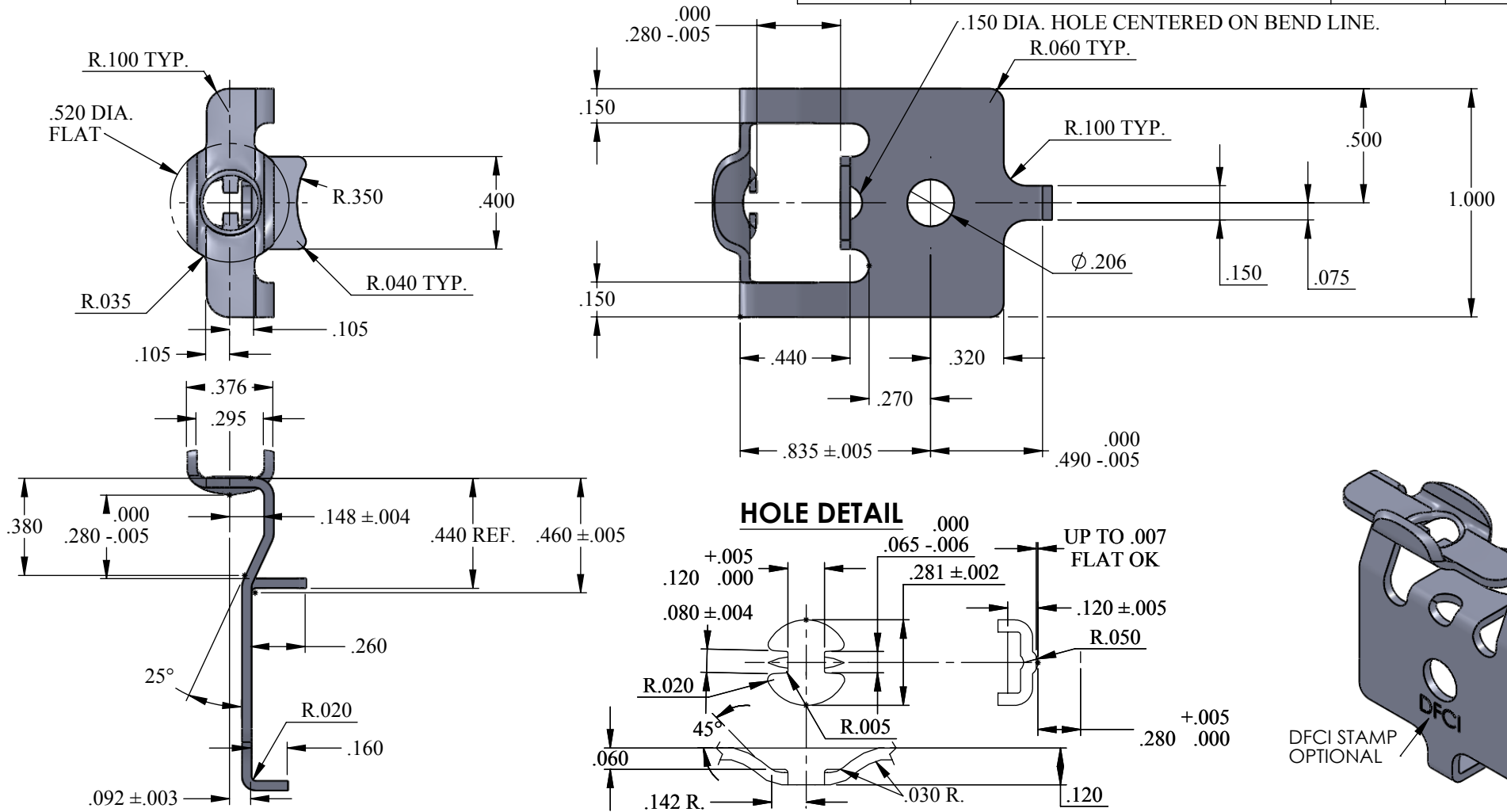



UNCONTROLLED

| REVISIONS | | | |
|-----------|--------------------|----------|--------|
| SYS | DESCRIPTION | DATE | APPROV |
| A | PER ECN 1168 & 845 | 01-04-13 | |



| | |
|--------------------------------------------------------------------------------------------------------------------------------------------------------------------------------------------------------------------------------------------------------------------------------------------------------------------|-------------------------------------------------------------------------------|
| MATERIAL: | A.I.S.I. C1075 OR C1074 STEEL |
| HEAT TREAT: | ROCKWELL C40 - 50 |
| FINISH: | ZINC PLATE PER ASTM-B-633, TYPE III, SC2 CLEAR TRIVALENT CHROMATE WITH SEALER |
| <small>THE FASTENER PARTS SHOWN IN THIS PRINT ARE PROPRIETARY ARTICLES TO WHICH DFCI SOLUTIONS INC., RETAINS THE EXCLUSIVE RIGHTS OF MANUFACTURE, USE AND SALE. THE PRINT OR DRAWING IS SUBMITTED IN CONFIDENCE AND DOES NOT CONVEY A LICENSE OR PERMISSION TO MANUFACTURE THE FASTENER OR FASTENER PARTS.</small> | |
| <small>(C) COPYRIGHT 2009, DFCI SOLUTIONS INC. ALL RIGHTS RESERVED.</small> | |

| | | | |
|-----------------------------------------------------|-------------------|------------------------|-----------------|
| TOLERANCES ON DIMENSIONS UNLESS OTHERWISE SPECIFIED | | | |
| $X^{\circ} = \pm 2^{\circ}$ | $.XX = \pm .015$ | MACHINE FINISH = 125/7 | |
| $X/X = \pm 1/32$ | $.XXX = \pm .010$ | | |
| PART NO. | 1224-1029-Z3CT | DRN | Frank Basile |
| | | DATE | 01-14-13 |
| | | CHK. | Frank Basile |
| | | DATE | 01-14-13 |
| | | ENG. | Robert Altkrond |
| | | DATE | 01-14-13 |
| | | MFG. | Rashid Lubman |
| | | DATE | 01-14-13 |
| | | G.C. | Robert Altkrond |
| | | DATE | 01-14-13 |
| NEXT ASSY | USED ON | SALES | |
| APPLICATION BLOCK | | | |

| | | | |
|---------------------------------------------------------------------------------------|----------|----------------------------------------------------------------------------------|--------------|
|  | | DFCI SOLUTIONS INC. 425 UNION BOULEVARD. WEST ISLIP, NEW YORK 11795 | |
| | | TITLE 1224-1029-Z3CT RECEPTACLE BRACKET | |
| SIZE | FSCM NO. | DWG. NO. | REV. |
| A | 72794 | C1224-1029 | A |
| SCALE: NTS | | WEIGHT: | SHEET 1 OF 1 |