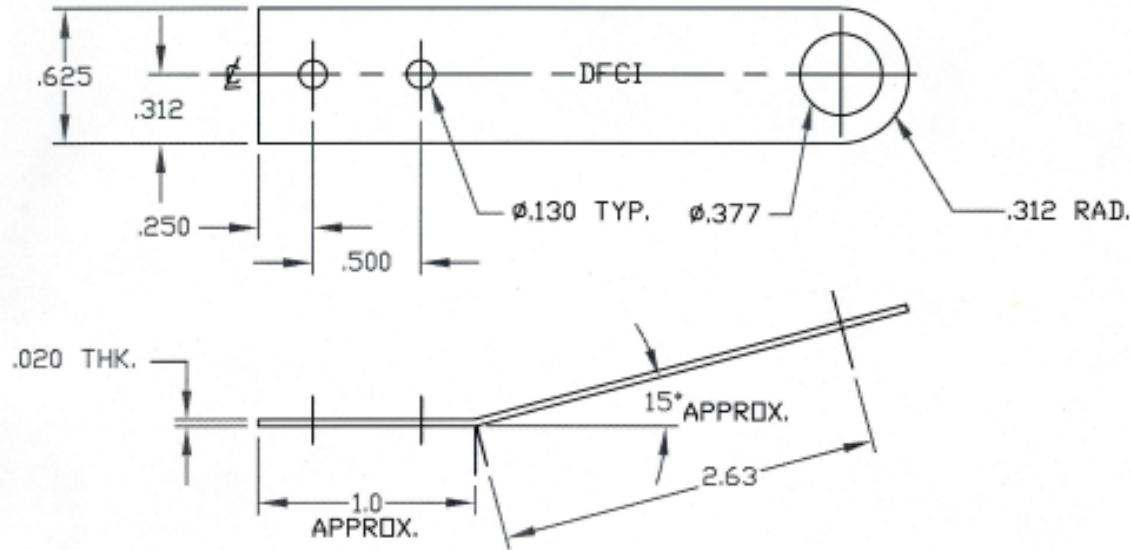


UNCONTROLLED

C1224-1030 REV. A

REVISIONS			
SYM	DESCRIPTION	DATE	APPROV
A	INITIAL RELEASE PER ECN 845	4-15-08	R. OLSEN



PART NO.
1224-1030-SS

MAT'L .020 THK. TYPE 302 ST. STEEL (SPRING TEMPER)		TOLERANCES ON DIMENSIONS UNLESS OTHERWISE SPECIFIED X* = ±2* .XX = ±.015 X/X = ±1/32 .XXX = ±.010		DFCI SOLUTIONS INC. 425 UNION BOULEVARD WEST ISLIP, NEW YORK 11795	
HEAT TREAT SPRING TEMPER		PART NO. 1224-1030-SS		DATE 4-15-08	
FINISH CLEAN & FREE OF BURRS.		DRN S. FRANKS		DATE 4-15-08	
<small>THE FASTENER PARTS SHOWN IN THIS PRINT ARE PROPRIETARY ARTICLES TO WHICH DFCI SOLUTIONS INC. RETAINS THE EXCLUSIVE RIGHTS OF MANUFACTURE, USE AND SALE. THE PRINT OR DRAWING IS SUBMITTED IN CONFIDENCE AND DOES NOT CONVEY A LICENSE OR PERMISSION TO MANUFACTURE THE FASTENER OR FASTENER PARTS.</small>		CHK F. Basil		DATE 4-16-08	
DATE: 07/01/06		ENG R. OLSEN		DATE 4-16-08	
FORM: DRAWING		MFG B. Klein		DATE 4-16-08	
QC B. Klein		DATE 4-16-08		SIZE A	
SALES		DATE		FSCM NO 72794	
APPLICATION BLOCK		DATE		DWG. NO. C1224-1030	
SCALE NTS		WT.		REV. A	
SHEET 1 OF 1					