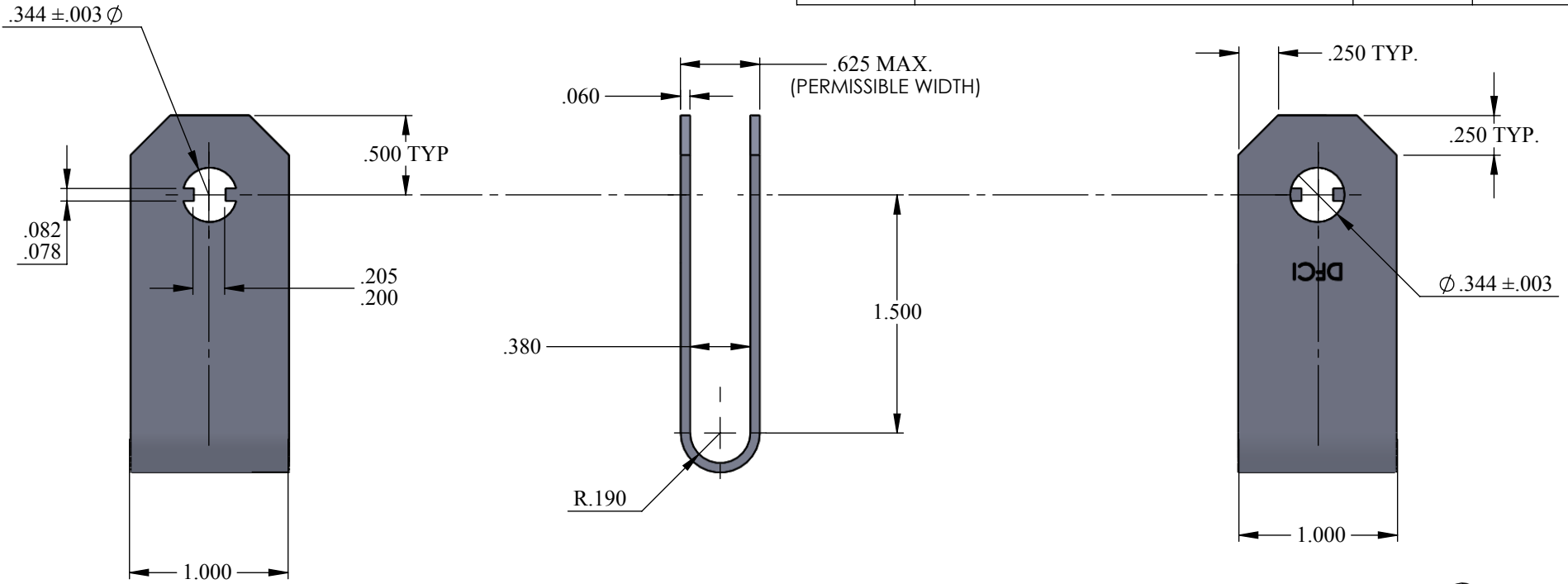
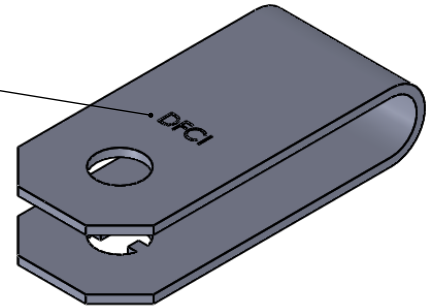


REVISIONS			
SYS	DESCRIPTION	DATE	APPROV
A	PER ECN 1168 & 854	07-27-11	



UPON DEPLETION OF EXISTING STOCK PART WILL BE STAMPED WITH DFCI



UNCONTROLLED

MATERIAL:	A.I.S.I. C1074 STEEL
HEAT TREAT:	SPRING TEMPER RC 44 - 46
FINISH:	OIL BASED RUST INHIBITOR (BLACK BEAR)
<small>THE FASTENER PARTS SHOWN IN THIS PRINT ARE PROPRIETARY ARTICLES TO WHICH DFCI SOLUTIONS INC., RETAINS THE EXCLUSIVE RIGHTS OF MANUFACTURE, USE AND SALE. THE PRINT OR DRAWING IS SUBMITTED IN CONFIDENCE AND DOES NOT CONVEY A LICENSE OR PERMISSION TO MANUFACTURE THE FASTENER OR FASTENER PARTS.</small>	
<small>(C) COPYRIGHT 2009, DFCI SOLUTIONS INC. ALL RIGHTS RESERVED.</small>	

TOLERANCES ON DIMENSIONS UNLESS OTHERWISE SPECIFIED			
X* = ±2°	.XX = ±.015	MACHINE FINISH = 125/7	
X/X = ±1/32	.XXX = ±.010		
PART NO.	1224-993-2-BB	DRN	Frank Basile
		DATE	07/27/11
		CHK.	Frank Basile
		DATE	07/27/11
		ENG.	Robert Altkorn
		DATE	07/27/11
		MFG.	Christopher P. Piniel
		DATE	07/27/11
		G.C.	Robert Altkorn
		DATE	07/27/11
NEXT ASSY	USED ON	SALES	
APPLICATION BLOCK			



DFCI SOLUTIONS INC.
 425 UNION BOULEVARD.
 WEST ILIIP, NEW YORK 11795

TITLE				1224-993-2-BB LOOP RECEPTACLE	
SIZE	FSCM NO.	DWG. NO.	C1224-993-2	REV.	A
A	72794	WEIGHT:		SHEET 1 OF 1	
SCALE: NTS					