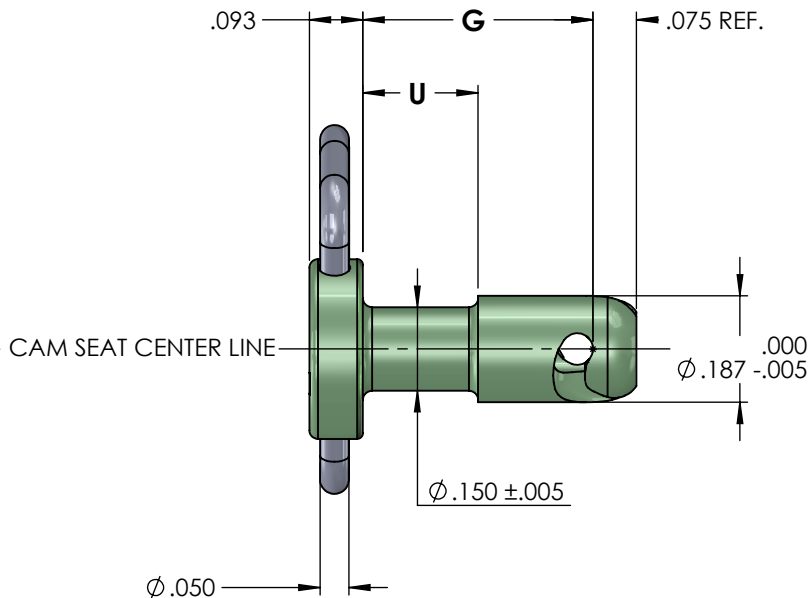
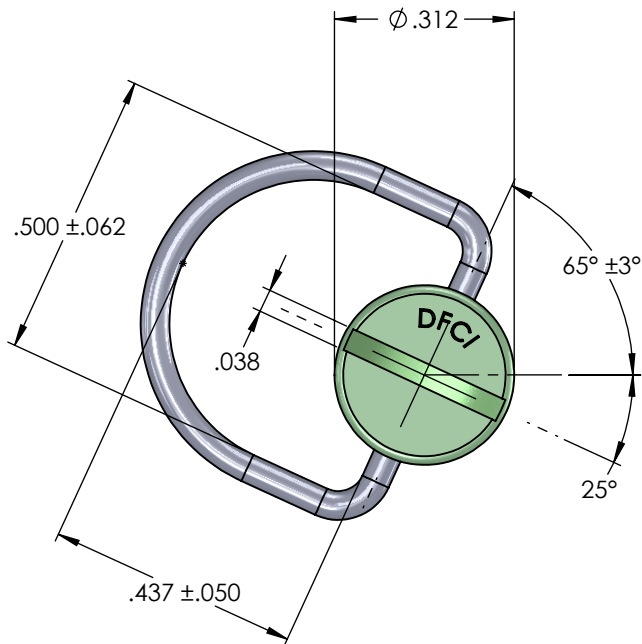


# UNCONTROLLED

REVISIONS			
SYS	DESCRIPTION	DATE	APPROV
A	PER ECN 1254	11/26/14	

PART NUMBER	G DIMENSION	U DIMENSION
122J-R325-14S	.250	.075
122J-R330-14S	.300	.100
122J-R335-14S	.350	.150
122J-R340-14S	.400	.200
122J-R345-14S	.450	.225
122J-R350-14S	.500	.250
122J-R355-14S	.550	.275
122J-R360-14S	.600	.300
122J-R365-14S	.650	.350
122J-R370-14S	.700	
122J-R375-14S	.750	.400
122J-R380-14S	.800	
122J-R390-14S	.900	.500
122J-R3100-14S	1.000	
122J-R3110-14S	1.100	
122J-R3120-14S	1.200	
122J-R3130-14S	1.300	
122J-R3140-14S	1.400	
122J-R3150-14S	1.500	



MATERIAL: TYPE 316 STAINLESS STEEL

HEAT TREAT: NONE

FINISH: NONE

TOLERANCES ON DIMENSIONS UNLESS OTHERWISE SPECIFIED

X\* = ±2° .XX = ±.015  
X/X = ±1/32 .XXX = ±.010 MACHINE FINISH = .125

PART NO. SEE TABLE	DRN Frank Basile	DATE 11/19/14
	CHK. Frank Basile	DATE 11/19/14
	ENG. Peter Altkorn	DATE 11/19/14
	MFG. Rashid Ibrahim	DATE 11/19/14
	G.C. Peter Altkorn	DATE 11/19/14
NEXT ASSY	USED ON	SALES.
APPLICATION BLOCK		



**DFCI SOLUTIONS INC.**

425 UNION BOULEVARD.  
WEST ISLIP, NEW YORK 11795

TITLE ST-1200 RING HEAD STUD TYPE 316 STAINLESS STEEL  
122J-R3\*\*-14S

SIZE A FSCM NO. 72794 DWG. NO. C122J-R3-14S REV. A

SCALE: NTS WEIGHT: SHEET 1 OF 1

THE FASTENER PARTS SHOWN IN THIS PRINT ARE PROPRIETARY ARTICLES TO WHICH DFCI SOLUTIONS INC., RETAINS THE EXCLUSIVE RIGHTS OF MANUFACTURE, USE AND SALE. THE PRINT OR DRAWING IS SUBMITTED IN CONFIDENCE AND DOES NOT CONVEY A LICENSE OR PERMISSION TO MANUFACTURE THE FASTENER OR FASTENER PARTS.

(C) COPYRIGHT 2009, DFCI SOLUTIONS INC. ALL RIGHTS RESERVED.