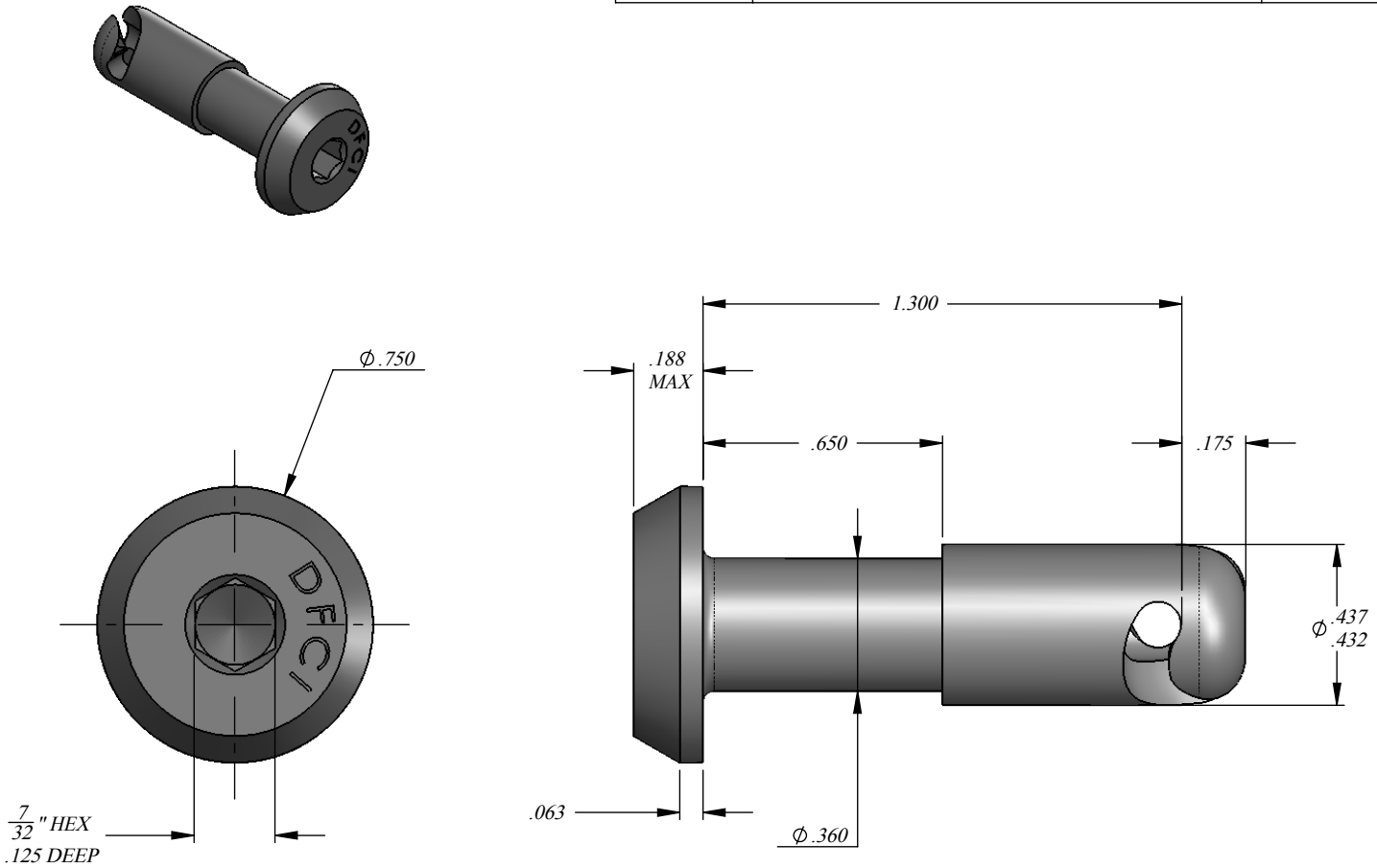


UNCONTROLLED

REVISIONS			
SYS	DESCRIPTION	DATE	APPROV
A	INITIAL RELEASE	05/11/10	F.B



MATERIAL:	A.I.S.I C1022 OR 10B21
HEAT TREAT:	MINIMUM SURFACE HARDNESS: ROCKWELL C-50
FINISH:	BLACK NITRIDE, COLOR: BLACK SEMI GLOSS
<small>THE FASTENER PARTS SHOWN IN THIS PRINT ARE PROPERTY ARTICLES TO WHICH DFCI SOLUTIONS INC., RETAINS THE EXCLUSIVE RIGHTS OF MANUFACTURE, USE AND SALE. THE PRINT OR DRAWING IS SUBMITTED IN CONFIDENCE AND DOES NOT CONVEY A LICENSE OR PERMISSION TO MANUFACTURE THE FASTENER OR FASTENER PARTS.</small>	
(C) COPYRIGHT 2009, DFCI SOLUTIONS INC. ALL RIGHTS RESERVED.	

TOLERANCES ON DIMENSIONS UNLESS OTHERWISE SPECIFIED			
X* = ±2°		.XX = ±.015	
X/X = ±1/32		.XXX = ±.010	
MACHINE FINISH = .125			
PART NO.	1230-7130-241867-BNI	DRN	W. Zhindon
		DATE	05/11/10
		CHK.	Frank Basile
		DATE	05/12/10
		ENG.	Robert Altabrand
		DATE	05/12/10
		MFG.	Bill Velazquez
		DATE	05/12/10
NEXT ASSY	USED ON	Q.C.	Robert Altabrand
		DATE	05/12/10
APPLICATION BLOCK		SALES.	

**DFCI SOLUTIONS INC.**  
425 UNION BOULEVARD.  
WEST ISLIP, NEW YORK 11795

TITLE			
ST-1200 LINE STUD 1230-7130-241867-BNI			
SIZE	FSCM NO	DWG. NO.	REV.
A	72794	C1230-241867	A
SCALE: NTS		WEIGHT:	SHEET 1 OF 1