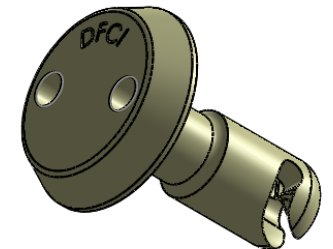
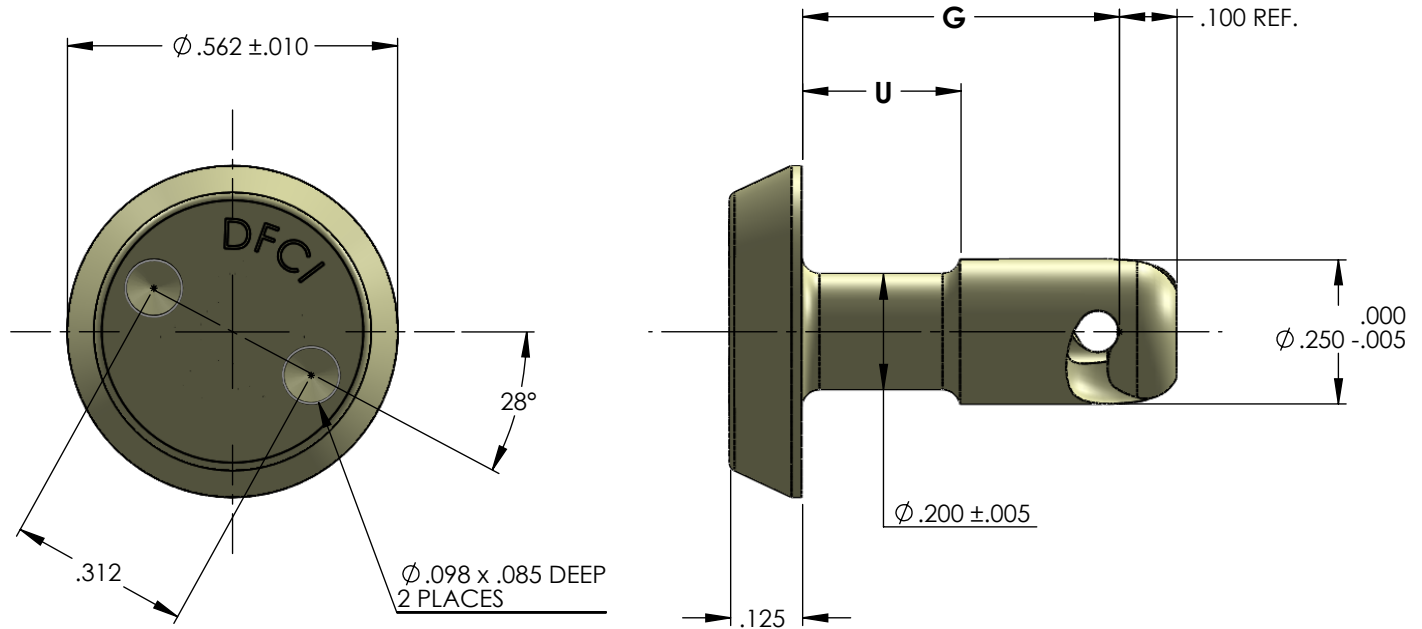


- NOTES:**
- FOR THE APPLICATION OF ALTERNATIVE FINISHES, REMOVE SUFFIX -Z3CT FROM THE PART NUMBER AND ADD THE REQUIRED FINISH SUFFIX TO THE PART NUMBER. **EXAMPLE:** FOR BLACK ZINC TRIVALENT CHROMATE FINISH THE PART NUMBER WILL BE 1230-455-Z3BT.
 - PLEASE VISIT www.dfcis.com/c1230-4 FOR A LIST OF AVAILABLE FINISHES.
 - FOR A STUD MADE FROM TYPE 303 STAINLESS STEEL, REMOVE FINISH SUFFIX -Z3CT FROM THE PART NUMBER AND ADD -SS **EXAMPLE:** 1230-425-SS

REVISIONS			
SYS	DESCRIPTION	DATE	APPROV
/	INITIAL RELEASE	12/12/13	

PART NUMBER	G	U
1230-425-Z3CT	.250	.100
1230-430-Z3CT	.300	.150
1230-435-Z3CT	.350	.200
1230-440-Z3CT	.400	.250
1230-445-Z3CT	.450	.275
1230-450-Z3CT	.500	.300
1230-455-Z3CT	.550	.350
1230-460-Z3CT	.600	.400
1230-465-Z3CT	.650	.450
1230-470-Z3CT	.700	.500
1230-475-Z3CT	.750	.550
1230-480-Z3CT	.800	.600
1230-485-Z3CT	.850	.650
1230-490-Z3CT	.900	.700
1230-495-Z3CT	.950	.750
1230-4100-Z3CT	1.000	.800
1230-4110-Z3CT	1.100	.850
1230-4120-Z3CT	1.200	.900



UNCONTROLLED

MATERIAL:	A.I.S.I 8620 OR 10B21 STEEL
HEAT TREAT:	ROCKWELL C27-33
FINISH:	ZINC PLATE PER ASTM-B-633,TYPE II, SC2 CLEAR TRIVALENT CHROMATE WITH SEALER
<small>THE FASTENER PARTS SHOWN IN THIS PRINT ARE PROPRIETARY ARTICLES TO WHICH DFCI SOLUTIONS INC., RETAINS THE EXCLUSIVE RIGHTS OF MANUFACTURE, USE AND SALE. THE PRINT OR DRAWING IS SUBMITTED IN CONFIDENCE AND DOES NOT CONVEY A LICENSE OR PERMISSION TO MANUFACTURE THE FASTENER OR FASTENER PARTS.</small>	
(C) COPYRIGHT 2009, DFCI SOLUTIONS INC. ALL RIGHTS RESERVED.	

TOLERANCES ON DIMENSIONS UNLESS OTHERWISE SPECIFIED			
X* = ±2°	.XX = ±.015	MACHINE FINISH = .125	
X/X = ±1/32	.XXX = ±.010		
PART NO.	SEE TABLE	DRN	DATE
		Frank Basile	12/12/13
		CHK. Frank Basile	DATE 12/12/13
		ENG. Peter Altkorn	DATE 12/12/13
		MFG. Rashm Lubman	DATE 12/12/13
		G.C. Peter Altkorn	DATE 12/12/13
NEXT ASSY	USED ON	SALES.	DATE

		DFCI SOLUTIONS INC. 425 UNION BOULEVARD. WEST ISLIP, NEW YORK 11795	
TITLE ST-1200 LINE TAMPER RESISTANT STUD 1230-4**-Z3CT			
SIZE	FSCM NO.	DWG. NO.	REV.
A	72794	C1230-4	/
SCALE: NTS		WEIGHT:	SHEET 1 OF 1