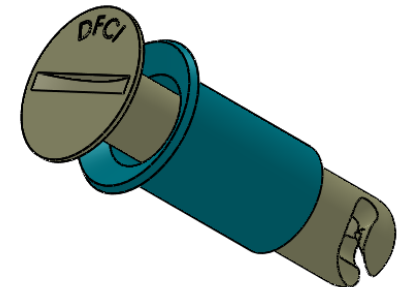
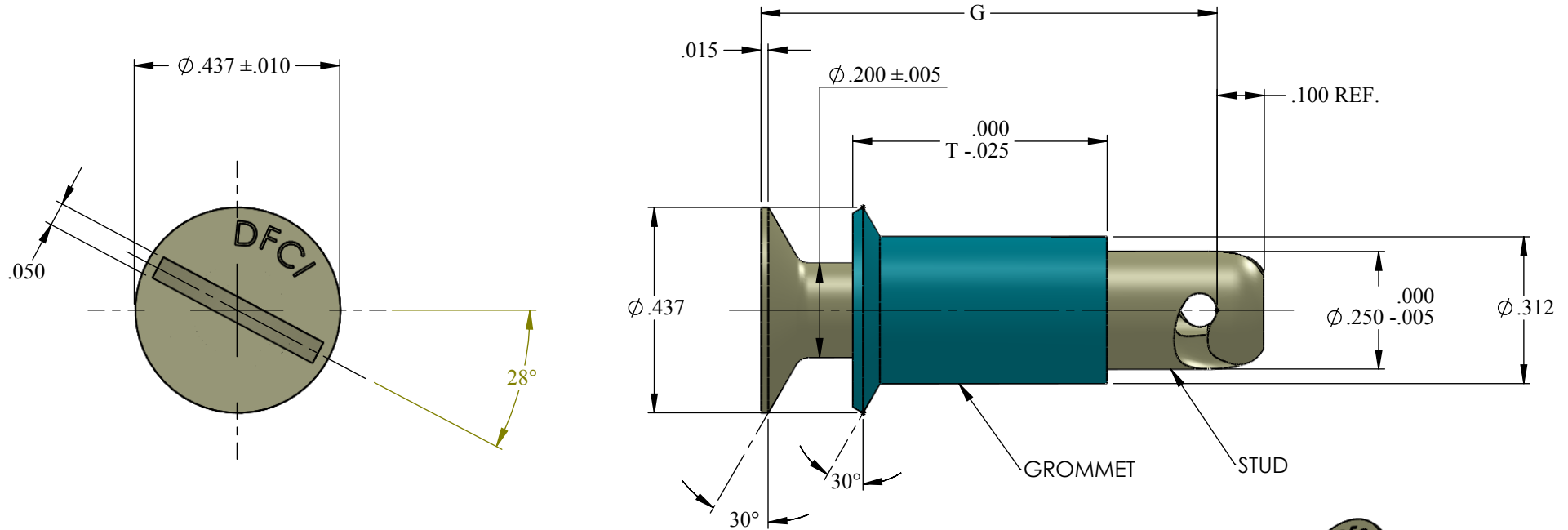


REVISIONS			
SYS	DESCRIPTION	DATE	APPROV
A	INITIAL RELEASE	10-27-11	FB



UNCONTROLLED

MATERIAL: NOTED	TOLERANCES ON DIMENSIONS UNLESS OTHERWISE SPECIFIED	
HEAT TREAT: NOTED	X* = ±2°	.XX = ±.015
FINISH: NOTED	X/X = ±1/32	.XXX = ±.010
<small>THE FASTENER PARTS SHOWN IN THIS PRINT ARE PROPRIETARY ARTICLES TO WHICH DFCI SOLUTIONS INC., RETAINS THE EXCLUSIVE RIGHTS OF MANUFACTURE, USE AND SALE. THE PRINT OR DRAWING IS SUBMITTED IN CONFIDENCE AND DOES NOT CONVEY A LICENSE OR PERMISSION TO MANUFACTURE THE FASTENER OR FASTENER PARTS.</small> (C) COPYRIGHT 2009, DFCI SOLUTIONS INC. ALL RIGHTS RESERVED.	PART NO. 126J-4**T***-Z3CT	DRN <i>Frank Basile</i> DATE 10-27-11
		CHK. <i>Frank Basile</i> DATE 10-27-11
		ENG. <i>Robert Altkorn</i> DATE 10-27-11
		MFG. <i>Christopher P. Piniel</i> DATE 10-27-11
		G.C. <i>Robert Altkorn</i> DATE 10-27-11
	SALES. DATE	
	APPLICATION BLOCK	

DFCI SOLUTIONS INC.
 425 UNION BOULEVARD.
 WEST ISLIP, NEW YORK 11795

TITLE		ST-1200 STUD AND GROMMET ASSEMBLY	
		126J-4**T***-Z3CT	
SIZE	FSCM NO.	DWG. NO.	REV.
A	72794	C126J-4-T	A
SCALE: NTS		WEIGHT:	SHEET 1 OF 2


REVISIONS			
SYS	DESCRIPTION	DATE	APPROV
A	INITIAL RELEASE	10-27-11	FB

ASSY PART NO.	STUD P/N	GROMMET P/N	T DIM.	G DIM.
126J-4140T700-Z3CT	126J-4140-Z3CT	127S-F4T700	.700	1.400

NOTES:

- MATERIAL:
STUD:A.I.S.I. 8620 OR 10B21 STEEL
GROMMET: 3003-H14 OR 1100-H14 ALUMINUM
- HEAT TREAT:
STUD: ROCKWELL C27-33
- FINISH:
STUD: ZINC PLATE PER ASTM-B-633, TYPE III, SC 2
CLEAR TRIVALENT CHROMATE WITH SEALER
(RoHS COMPLIANT)
- FOR THE APPLICATION OF ATERNATIVE FINISHES REMOVE SUFFIX -Z3CT FROM THE PART NUMBER AND ADD THE REQUIRED FINISH SUFFIX TO THE PART NUMBER. EXAMPLE, FOR YELLOW ZINC TRIVALENT CHROMATE FINISH THE PART NUMBER WILL BE 126J-4140T700-Z3YT
- PLEASE VISIT WWW.DFCIS.COM/C126J-4-T FOR AN AVAILABLE LIST OF FINISHES.

UNCONTROLLED

MATERIAL: NOTED	TOLERANCES ON DIMENSIONS UNLESS OTHERWISE SPECIFIED X* = ±2° .XX = ±.015 X/X = ±1/32 .XXX = ±.010 MACHINE FINISH = .125			 DFCI SOLUTIONS INC. 425 UNION BOULEVARD. WEST ISLIP, NEW YORK 11795
HEAT TREAT: NOTED	PART NO. 126J-4**T***-Z3CT	DRN <i>Frank Basile</i> DATE 10-27-11	CHK. <i>Frank Basile</i> DATE 10-27-11	
FINISH: NOTED		ENG. <i>Robert Altkorn</i> DATE 10-27-11	MFG. <i>Christopher P. Pineda</i> DATE 10-27-11	
THE FASTENER PARTS SHOWN IN THIS PRINT ARE PROPRIETARY ARTICLES TO WHICH DFCI SOLUTIONS INC., RETAINS THE EXCLUSIVE RIGHTS OF MANUFACTURE, USE AND SALE. THE PRINT OR DRAWING IS SUBMITTED IN CONFIDENCE AND DOES NOT CONVEY A LICENSE OR PERMISSION TO MANUFACTURE THE FASTENER OR FASTENER PARTS. (C) COPYRIGHT 2009, DFCI SOLUTIONS INC. ALL RIGHTS RESERVED.	NEXT ASSY	USED ON	G.C. <i>Robert Altkorn</i> DATE 10-27-11	
APPLICATION BLOCK		SALES.	DATE	TITLE ST-1200 STUD AND GROMMET ASSEMBLY 126J-4**T***-Z3CT SIZE A FSCM NO. 72794 DWG. NO. C126J-4-T REV. A SCALE: NTS WEIGHT: SHEET 2 OF 2