

NOTES: UNLESS OTHERWISE SPECIFIED

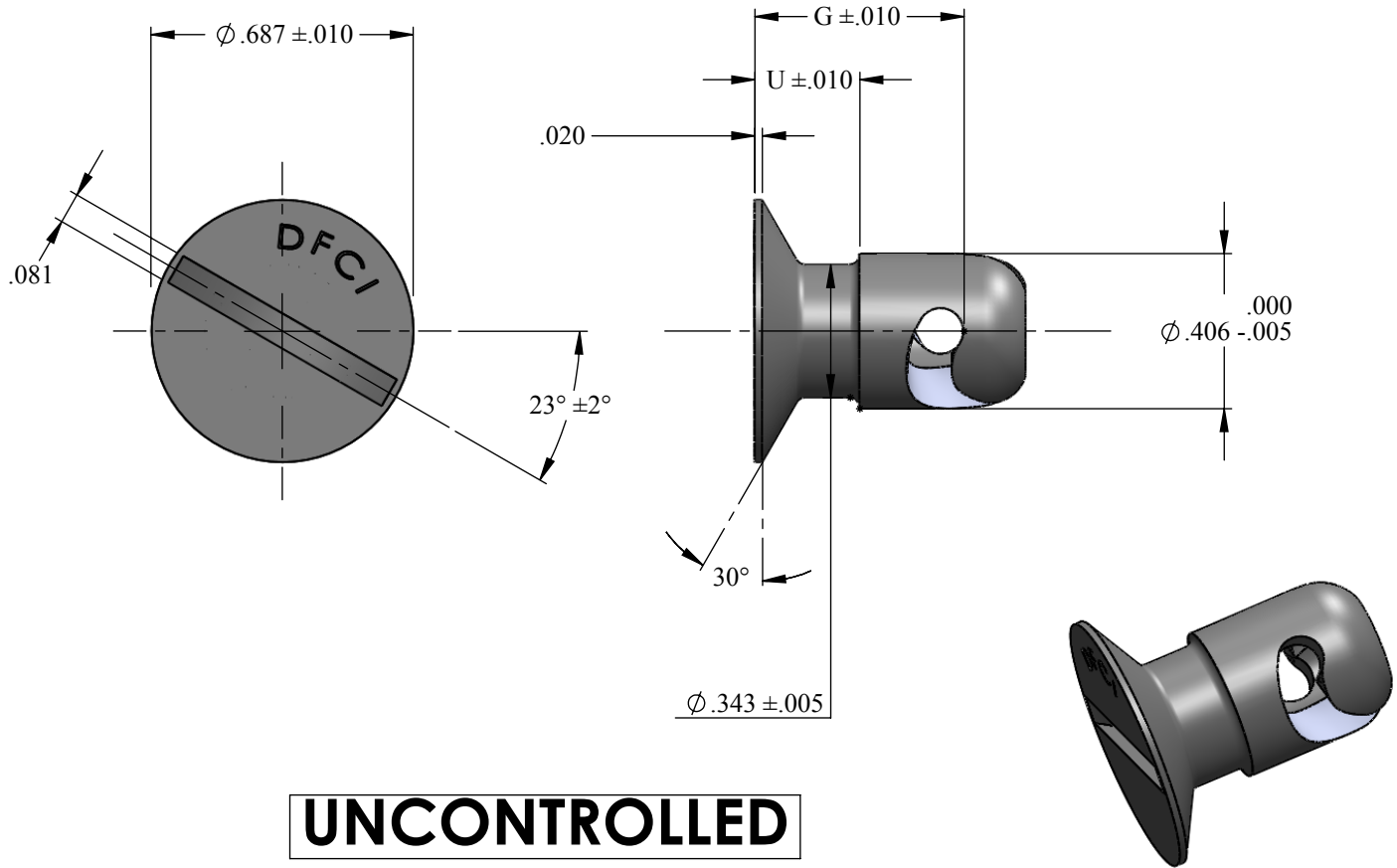
1. TO SPECIFY A TYPE 303 STAINLESS STEEL STUD REMOVE SUFFIX Z3CT FROM PART NUMBER AND ADD "SS". EXAMPLE: 121J-6550-SS

2. FOR THE APPLICATION OF ALTERNATIVE FINISHES, REMOVE SUFFIX Z3CT FROM THE PART NUMBER AND ADD THE REQUIRED FINISH SUFFIX TO THE PART NUMBER. EXAMPLE FOR YELLOW ZINC TRIVALENT CHROMATE FINISH, THE PART NUMBER WILL BE 121J-6550-Z3YT.

3. PLEASE VISIT WWW.DFCIS.COM/C121J-65 FOR A LIST OF AVAILABLE FINISHES.

REVISIONS			
SYS	DESCRIPTION	DATE	APPROV
A	INITIAL RELEASE PER ECN 845 & 1168	3/07/2011	


PART NUMBER	"G"	"U"
126J-6540-Z3CT	.400	.245
126J-6545-Z3CT	.450	.250
126J-6550-Z3CT	.500	.250
126J-6555-Z3CT	.550	.275
126J-6560-Z3CT	.600	.300
126J-6570-Z3CT	.700	.350
126J-6580-Z3CT	.800	.450
126J-6590-Z3CT	.900	.550
126J-65100-Z3CT	1.000	.650
126J-65110-Z3CT	1.100	.650
126J-65120-Z3CT	1.200	.650
126J-65130-Z3CT	1.300	.650
126J-65140-Z3CT	1.400	.650
126J-65150-Z3CT	1.500	.650



UNCONTROLLED

MATERIAL:	A.I.S.I. 8620 STEEL OR TYPE 303 STAINLESS STEEL
HEAT TREAT:	ROCKWELL C27-33 STEEL STUDS ONLY
FINISH:	ZINC PLATE PER ASTM-B-633 TYPE III SC2 CLEAR TRIVALENT CHROMATE WITH SEALER
"THE FASTENER PARTS SHOWN IN THIS PRINT ARE PROPRIETARY ARTICLES TO WHICH DFCI SOLUTIONS INC. RETAINS THE EXCLUSIVE RIGHTS OF MANUFACTURE, USE AND SALE. THE PRINT OR DRAWING IS SUBMITTED IN CONFIDENCE AND DOES NOT CONVEY A LICENSE OR PERMISSION TO MANUFACTURE THE FASTENER OR FASTENER PARTS." (C) COPYRIGHT 2009, DFCI SOLUTIONS INC. ALL RIGHTS RESERVED."	

TOLERANCES ON DIMENSIONS UNLESS OTHERWISE SPECIFIED			
X* = ±1/2"	.XX = ±.015	CONCENTRICITY F.I.M. .005	
X/X = ±1/64	.XXX = ±.010	MACHINE FINISH = .125/7	
PART NO.	DRN	DATE	
	Frank Basile	3/07/2011	
	CHK. Frank Basile	DATE 3/07/2011	
	ENG. Peter Altkrond	DATE 3/07/2011	
	MFG. Bill Velazquez	DATE 3/07/2011	
	G.C. Peter Altkrond	DATE 3/07/2011	
NEXT ASSY	USED ON	SALES.	DATE



DFCI SOLUTIONS INC.
425 UNION BOULEVARD.
WEST ISLIP, NEW YORK 11795

126J-65-Z3CT**
ST-1200 FLUSH HEAD STUD

SIZE	FSCM NO	DWG. NO.	REV.
A	72794	C126J-65	A

SCALE: NTS WEIGHT: SHEET 1 OF 1