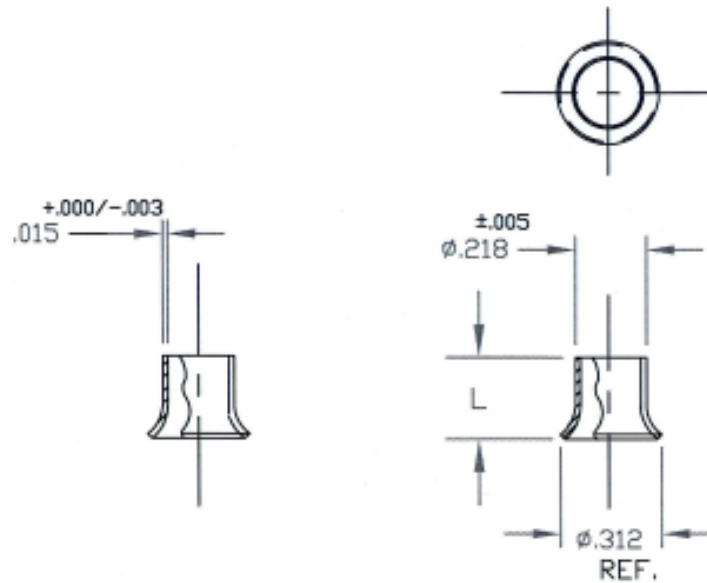


UNCONTROLLED

C1271-3-241340 REV. B

REVISIONS			
SYM	DESCRIPTION	DATE	APPROV
B	ADD-BOC TO P/N&FINISH 1075.	2-15-08	R. OLSEN



PART NO.	L.	FINISH
1271-3175-241340-BOC	.175	BLACK OXIDE OVER COPPER PLATE, SEAL W/CLEAR ACRYLIC DIP OVER BLACK OXIDE. PER MIL-C-14550, CLASS 2, AND MIL-F-495.
1271-3200-241340-BOC	.200	
1271-3225-241340-BOC	.225	
1271-3250-241340-BOC	.250	

MATL COPPER, ALLOY 122, SOFT TEMPER.	TOLERANCES ON DIMENSIONS UNLESS OTHERWISE SPECIFIED X* = ±2* .XX = ±.015 X/X = ±1/32 .XXX = ±.010 MACHINE FINISH 125/		DFCI SOLUTIONS INC. 425 UNION BOULEVARD WEST ISLIP, NEW YORK 11795	
HEAT TREAT NONE.	PART NO.	DRN S. FRANKS DATE 1-7-08	TITLE ST-1200 LINE GROMMETS, 1271-3xxx-241340-BOC	
FINISH BLACK OXIDE FINISH AS NOTED.		CHK J. Basil DATE 2-15-08	SIZE A	FSCM NO 72794
<small>THE FACTOR PARTS SHOWN IN THIS PRINT ARE PROPRIETARY ARTICLES TO WHICH DFCI SOLUTIONS INC. RETAINS THE EXCLUSIVE RIGHTS OF MANUFACTURE, USE AND SALE. THE PRINT OR DRAWING IS SUBMITTED IN CONFIDENCE AND DOES NOT CONVEY A LICENSE OR PERMISSION TO MANUFACTURE THE FACTOR OR FACTOR PARTS. © COPYRIGHT 2008, DFCI SOLUTIONS INC. ALL RIGHTS RESERVED.</small>	NEXT ASSY	USED ON SALES DATE 2/15/08	DWG. NO. C1271-3-241340	REV. B
DATE: 07/01/06	FORM: DRAWING	APPLICATION BLOCK	SCALE NTS	WT. SHEET 1 OF 1