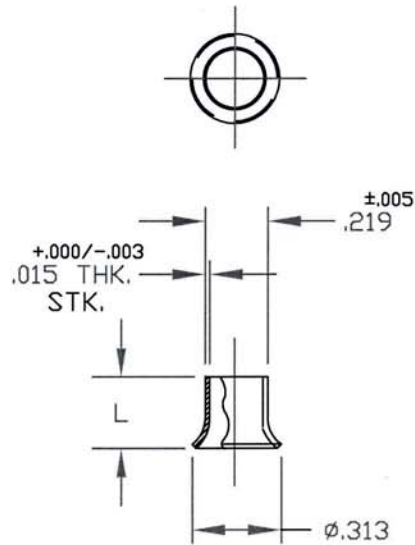


UNCONTROLLED

C1271-3 REV. C

REVISIONS			
SYM	DESCRIPTION	DATE	APPROV
C	ADD TOL. TO .219 DIA. ECN 1101	9-29-08	R.C.



PART NO.	DIM. L
1271-3175	.175
1271-3200	.200
1271-3225	.225
1271-3250	.250

NOTES:

- PLEASE VISIT WWW.DFCIS.COM/C1271-3 FOR A LIST OF AVAILABLE FINISHES.

MAT'L .015 THK.3003H14 OR 1100-H14 ALUM.		TOLERANCES ON DIMENSIONS UNLESS OTHERWISE SPECIFIED $X^{\circ} = \pm 2^{\circ}$.XX = $\pm .015$ $X/X = \pm 1/32$.XXX = $\pm .010$		DFCI SOLUTIONS INC. 425 UNION BOULEVARD WEST ISLIP, NEW YORK 11795	
HEAT TREAT NONE.		PART NO.		DRN S. F. Francis DATE 1-23-04	
FINISH NONE.		CHK F. Bosch DATE 9-29-08		ENG [Signature] DATE 9-29-08	
MFG [Signature] DATE 9/29/08		MFR [Signature] DATE 9/29/08		SIZE A	
FSCM NO 72794		DWG. NO. C1271-3		REV. C	
DATE: 07/01/06		FORM: DRAWING		SCALE NTS	
APPLICATION BLOCK		SALES [Signature] DATE 9/29/08		WT.	
SHEET 1 OF 1		TITLE ST-1200 LINE FULL GROMMET, 1271-3xxx.			