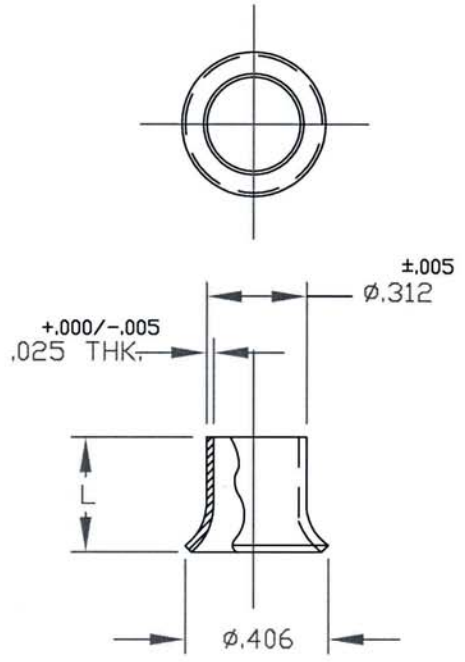


UNCONTROLLED

C1271-4 REV. *c*

REVISIONS			
SYM	DESCRIPTION	DATE	APPROV
C	ADD TOL. TO .312 DIA. ECN 1101	9-29-08	<i>R.C.</i>



PART NO.	DIM. L
1271-4188	.188
1271-4200	.200
1271-4217	.217
1271-4225	.225
1271-4250	.250
1271-4275	.275
1271-4300	.300
1271-4312	.312

NOTES:
 1. PLEASE VISIT WWW.DFCIS.COM/C1271-4 FOR A LIST OF AVAILABLE FINISHES.

MAT'L .025 THK.3003H14 OR 1100-H14 ALUM.		TOLERANCES ON DIMENSIONS UNLESS OTHERWISE SPECIFIED X* = ±2° .XX = ±.015 X/X = ±1/32 .XXX = ±.010 MACHINE FINISH 125/		DFCI SOLUTIONS INC. 425 UNION BOULEVARD WEST ISLIP, NEW YORK 11795	
HEAT TREAT NONE.		PART NO.	DRN <i>S. FRANCIS</i> DATE 1-23-04	TITLE ST-1200 LINE FULL GROMMET, 1271-4xxx.	
FINISH NONE.		CHECKED <i>F. Basil</i> DATE 4-29-08	ENG <i>Rodulph</i> DATE 5-19-08	SIZE A	FSCM NO 72794
<small>THE FASTENER PARTS SHOWN IN THIS PRINT ARE PROPRIETARY ARTICLES TO WHICH DFCI SOLUTIONS INC. RETAINS THE EXCLUSIVE RIGHTS OF MANUFACTURE, USE AND SALE. THE PRINT OR DRAWING IS SUBMITTED IN CONFIDENCE AND DOES NOT CONVEY A LICENSE OR PERMISSION TO MANUFACTURE THE FASTENER OR FASTENER PARTS.</small>		NEXT ASSY USED ON	MFG <i>Bill</i> DATE 9-29-08	DWG. NO. C1271-4	REV. C
DATE: 07/01/06 FORM: DRAWING		APPLICATION BLOCK	SALES <i>B. Hildebrand</i> DATE 7/29/08	SCALE NTS	WT.
				SHEET 1 OF 1	

The parts shown in this print are proprietary articles to which DFCI Solutions, Inc. retains the exclusive rights of manufacture, use and sale. The print or drawing is submitted in confidence and does not convey a license or permission to manufacture the parts. Copyright © 2008 by DFCI Solutions, Inc. All rights reserved.