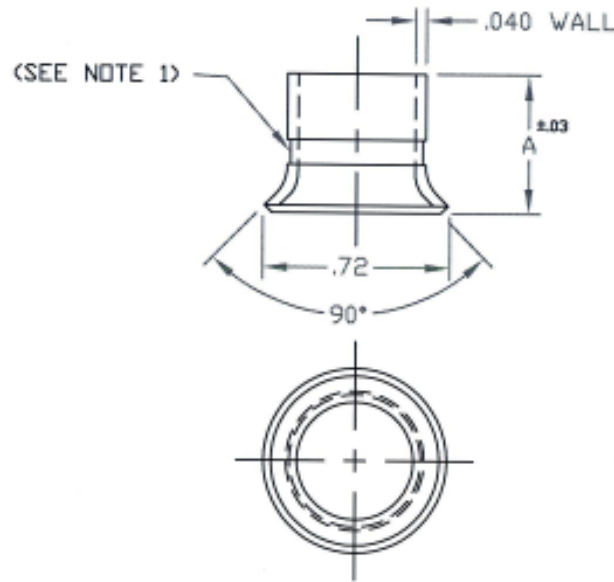


UNCONTROLLED

C1271-7 REV.


REVISIONS			
SYM	DESCRIPTION	DATE	APPROV
A	INITIAL RELEASE PER ECN 845.	1-3-07	R. OLSON



PART NO.	A	MATERIAL
1271-7375	.375	ALUM. ALLOY 1100-H14 OR 3003-H14
1271-7475	.475	
1271-7525	.525	
1271-7375RN	.375	COPPER NICKEL 90/10
1271-7475RN	.475	
1271-7525RN	.525	

NOTES:

- GROOVE IS NOT APPLICABLE TO GROMMET PART NO. 1271-7375 OR 1271-7375RN.

MAT'L AS NOTED.		TOLERANCES ON DIMENSIONS UNLESS OTHERWISE SPECIFIED X° = ±2° .XX = ±.015 X/X = ±1/32 .XXX = ±.010		MACHINE FINISH 125T		 DFCI SOLUTIONS INC. 425 UNION BOULEVARD WEST ISLIP, NEW YORK 11795			
HEAT TREAT NONE.		PART NO.	DRN S. Francis	DATE 1-3-07	1200 FULL SIZE GROMMET, 1271-7xxx.				
FINISH NONE.			CHK F. Basil	DATE 1-4-07					
			ENG R. OLSON	DATE 1-4-07					
<small>THE PARTS AND PARTS SHOWN IN THIS PRINT ARE PROPRIETARY ARTICLES TO WHICH DFCI SOLUTIONS INC. RETAINS THE EXCLUSIVE RIGHTS OF MANUFACTURE, USE AND SALE. THE PRINT OR DRAWING IS SUBMITTED IN CONFIDENCE AND DOES NOT CONVEY A LICENSE OR PERMISSION TO MANUFACTURE THE PARTS OR PARTS.</small> <small>© COPYRIGHT 2003, DFCI SOLUTIONS INC. ALL RIGHTS RESERVED.</small>		NEXT ASSY	USED ON	QC B. Hinkle	DATE 1-4-07	SIZE A	FSCM NO 72794	DWG. NO. C1271-7	REV. A
DATE: 07/01/06		FORM: DRAWING		APPLICATION BLOCK	SALES	SCALE NTS	WT.	SHEET 1 OF 1	