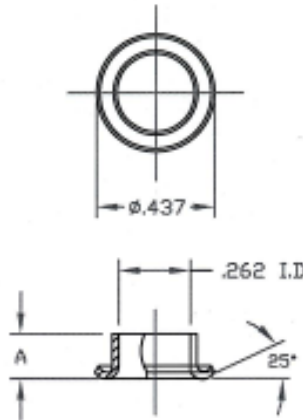


UNCONTROLLED

C1276-4 REV. A

REVISIONS			
SYM	DESCRIPTION	DATE	APPROV
A	NITIAL RELEASE PER ECN 845.	5-13-08	



PART NO.	A	MATERIAL
1276-4125	.125	.025 THK. 3003-H14 DR 1100-H14 ALUM.
1276-4150	.150	
1276-4175	.175	
1276-4200	.200	
1276-4218	.218	
1276-4225	.225	
1276-4250	.250	
1276-4375	.375	

NOTES:

- PLEASE VISIT WWW.DFCIS.COM/C1276-4 FOR A LIST OF AVAILABLE FINISHES.

MAT'L AS NOTED.		TOLERANCES ON DIMENSIONS UNLESS OTHERWISE SPECIFIED X* = ±2* .XX = ±.015 X/X = ±1/32 .XXX = ±.010 MACHINE FINISH 125T		DFCI SOLUTIONS INC. 425 UNION BOULEVARD WEST ISLIP, NEW YORK 11795	
HEAT TREAT NONE.		PART NO.	DRN S. Francis DATE 5-13-08	TITLE ST-1200 LINE GROMMET, 1276-4xxx.	
FINISH NATURAL.			CHK F. Basil DATE 5-16-08	SIZE A	FSCM NO 72794
<small>THE PARTS SHOWN IN THIS PRINT ARE PROPRIETARY ARTICLES TO WHICH DFCI SOLUTIONS INC. RETAINS THE EXCLUSIVE RIGHTS OF MANUFACTURE, USE AND SALE. THE PRINT OR DRAWING IS SUBMITTED IN CONFIDENCE AND DOES NOT CONVEY A LICENSE OR PERMISSION TO MANUFACTURE THE PARTS OR PARTS THEREOF.</small> <small>DATE: 07/01/06 FORM: DRAWING</small>			ENG Mike Colbourn DATE 5-16-08	DWG. NO. C1276-4	REV. A
			MFG B. Velazquez DATE 5-16-08	SCALE NTS	WT.
	NEXT ASSY USED ON	SALES B. Velazquez DATE 5/16/08	SHEET 1 OF 1		