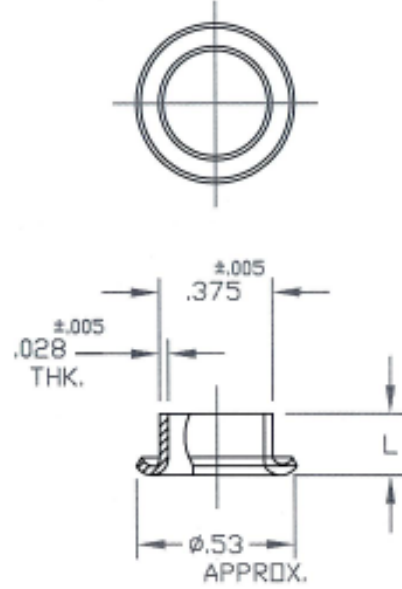


UNCONTROLLED

C1276-5

REV. *C*


REVISIONS			
SYM	DESCRIPTION	DATE	APPROV
C	CHNG TITLE BLCK, ECN 1016.	1-23-07	<i>R. OLSEN</i>



PART NO.	L	MATERIAL
1276-5175	.175	.028 THK.
1276-5225	.225	3003-H14 DR
1276-5250	.250	1100-H14 ALUM.
1276-5175-RN	.175	.028 THK.
1276-5225-RN	.225	90% / 10%
1276-5250-RN	.250	COPPER NICKEL

NOTES:

1. THE CONCENTRICITY (F.I.M) = .015
2. PLEASE VISIT WWW.DFCIS.COM/C1276-5 FOR A LIST OF AVAILABLE FINISHES.

MAT'L AS NOTED.		TOLERANCES ON DIMENSIONS UNLESS OTHERWISE SPECIFIED X = ±.2° .XX = ±.015 X/X = ±1/32 .XXX = ±.010		MACHINE FINISH <i>125T</i>		 DFCI SOLUTIONS INC. 425 UNION BOULEVARD WEST ISLIP, NEW YORK 11795	
HEAT TREAT NONE.		PART NO.	DRN <i>S. FRANCO</i>	DATE 5-25-04	TITLE ST-1200 LINE GROMMET, 1276-5xxx.		
FINISH NATURAL.			CHK <i>R. OLSEN</i>	DATE 1/23/07	SIZE A	FSCM NO 72794	DWG. NO. C1276-5
<small>THE PARTS SHOWN IN THIS PRINT ARE PROPRIETARY ARTICLES TO WHICH DFCI SOLUTIONS INC. RETAINS THE EXCLUSIVE RIGHTS OF MANUFACTURE, USE AND SALE. THE PRINT OR DRAWING IS SUBMITTED IN CONFIDENCE AND DOES NOT CONVEY A LICENSE OR PERMISSION TO MANUFACTURE THE PARTS OR PARTS THEREOF.</small>		NEXT ASSY	USED ON	DATE 1-23-07	REV. C		
<small>DATE: 07/01/06 FORM: DRAWING</small>		APPLICATION BLOCK	SALES	DATE 1/23/07	SCALE NTS	WT.	SHEET 1 OF 1

The parts shown in this print are proprietary articles to which DFCI Solutions, Inc. retains the exclusive rights of manufacture, use and sale. The print or drawing is submitted in confidence and does not convey a license or permission to manufacture the parts. Copyright © 2007 by DFCI Solutions, Inc. All rights reserved.