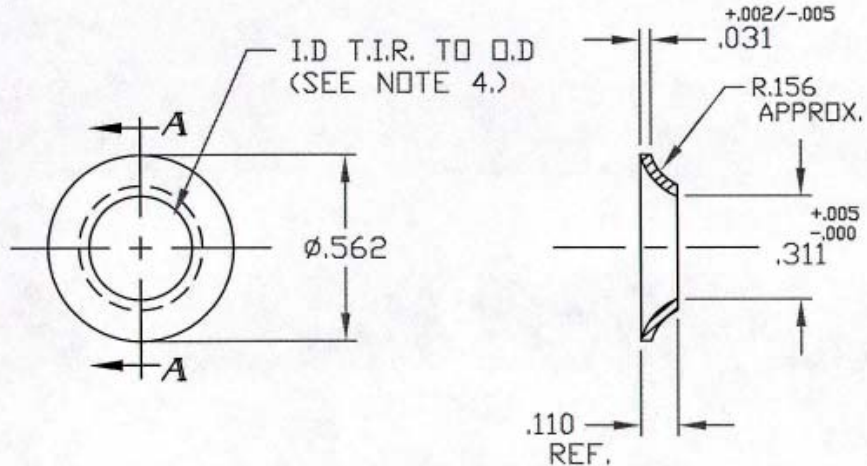


UNCONTROLLED

C127H-5 REV. A

REVISIONS			
SYM	DESCRIPTION	DATE	APPROV
A	INITIAL RELEASE PER ECN 845	1-5--05	<i>R. Oleson</i>



SECT. A-A

PART NO.	MATERIAL
127H-5	ALUM.
127H-5-SS	ST. STEEL.

- NOTES:
- PLEASE VISIT www.dfci.com/dzfinish.html FOR A LIST OF AVAILABLE FINISHES.
 - THE CONCENTRICITY (F.I.M) = .010

MAT'L .032 THK. 3003-H14, 1100-H14 ALUM. OR TYPE 302 ST. STEEL.		TOLERANCES ON DIMENSIONS UNLESS OTHERWISE SPECIFIED $X^{\circ} = \pm 2^{\circ}$ $.XX = \pm .015$ CONCENTRICITY F.I.M. $.005$ $X/X = \pm 1/32$ $.XXX = \pm .010$ MACHINE FINISH 125/		DFCI SOLUTIONS INC. 425 UNION BOULEVARD WEST ISLIP, NEW YORK 11795	
HEAT TREAT NONE.		PART NO.		DRN S. F. FRANCA DATE 1-5-05	
FINISH NATURAL.		CHK <i>F. Basile</i> DATE 1-5-05		TITLE ST-1200 LINE GROMMET, 127H-5	
<small>THE FASTENER PARTS SHOWN IN THIS PRINT ARE PROPRIETARY ARTICLES TO WHICH THE DFCI SOLUTIONS INC. RETAINS THE EXCLUSIVE RIGHTS OF MANUFACTURE, USE AND SALE. THE PRINT OR DRAWING IS SUBMITTED IN CONFIDENCE AND DOES NOT CONVEY A LICENSE OR PERMISSION TO MANUFACTURE THE FASTENER OR FASTENER PARTS.</small>		ENG <i>R. Oleson</i> DATE 1-6-05		SIZE A FSCM NO 72794 DWG. NO. C127H-5 REV. A	
MFG <i>JS</i> DATE 1-6-05		MFG <i>JS</i> DATE 1-6-05		SCALE NTS WT.	
SALES <i>B. Hildebrand</i> DATE 1/6/05		SALES		SHEET 1 OF 1	
APPLICATION BLOCK		SALES		DATE	

DATE: 11/01/03 FORM: DRAWING