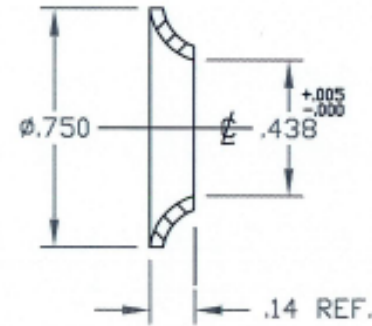
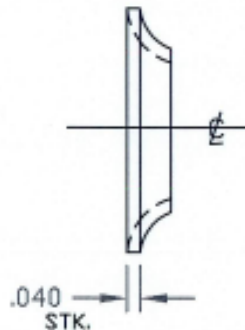
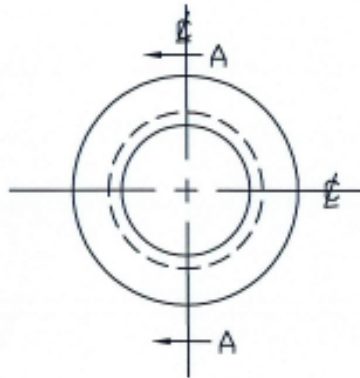


UNCONTROLLED

C127H-7 REV. B

REVISIONS			
SYM	DESCRIPTION	DATE	APPROV
B	CHNG FINISH PER ECN 1045	7-23-07	R. OLSEN



SECTION "A - A"

PART NO.	MATERIAL	FINISH.
127H-7	.040 THK. 3003-H14, 1100-H14 OR 6061-T0. ALUM.	NONE.
127H-7-SS-PAS	.040 THK. ST. STEEL. TYPE 302	PASSIVATE

NOTES:

- PLEASE VISIT WWW.DFCIS.COM/C127H-7 FOR A LIST OF AVAILABLE FINISHES.

MAT'L AS NOTED.		TOLERANCES ON DIMENSIONS UNLESS OTHERWISE SPECIFIED X = ±2" .XX = ±.015 X/X = ±1/32 .XXX = ±.010		MACHINE FINISH 125T		DFCI SOLUTIONS INC. 425 UNION BOULEVARD WEST ISLIP, NEW YORK 11795	
HEAT TREAT NONE.		PART NO.		DRN S. FRANZ DATE 7-23-07		TITLE ST-1200 LINE GROMMET, 127H-7	
FINISH PER NOTE 1.		NEXT ASSY		CHK F. P... DATE 7-23-07		SIZE A	
<small>THE FASTENER PARTS SHOWN IN THIS PRINT ARE PROPRIETARY ARTICLES TO WHICH DFCI SOLUTIONS INC. RETAINS THE EXCLUSIVE RIGHTS OF MANUFACTURE, USE AND SALE. THE PRINT OR DRAWING IS SUBMITTED IN CONFIDENCE AND DOES NOT CONVEY A LICENSE OR PERMISSION TO MANUFACTURE THE FASTENER OR FASTENER PARTS. © COPYRIGHT 2007, DFCI SOLUTIONS INC. ALL RIGHTS RESERVED.</small>		USED ON		ENG K. OLSEN DATE 12/21/07		FSCM NO. 72794	
APPLICATION BLOCK		SALES		MFG S. N... DATE 12/21/07		DWG. NO. C127H-7	
DATE: 07/01/06		FORM: DRAWING		OR S. N... DATE 12/21/07		REV. B	
				SCALE NTS		WT.	
						SHEET 1 OF 1	