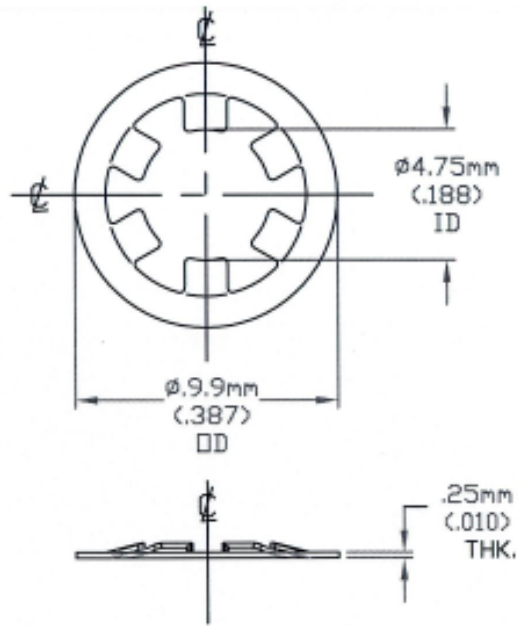


UNCONTROLLED

C1632-101 SHT. 1of2 REV. A

REVISIONS			
SYM	DESCRIPTION	DATE	APPROV
A	INITIAL RELEASE PER ECN 920	11-21-06	R. OLSON



SIZE 4 RETAINER  
(SEE NOTE 1)

RING P/N	FINISH
1632-4101-Z3CT	ZINC PLATE PER ASTM-B-633, TYPE III, SC 2, CLEAR TRIVALENT CHROMATE.

NOTE:  
1. FOR SIZE 6 RETAINER P/N 1632-6101-Z3CT SEE SHEET 2 of 2.

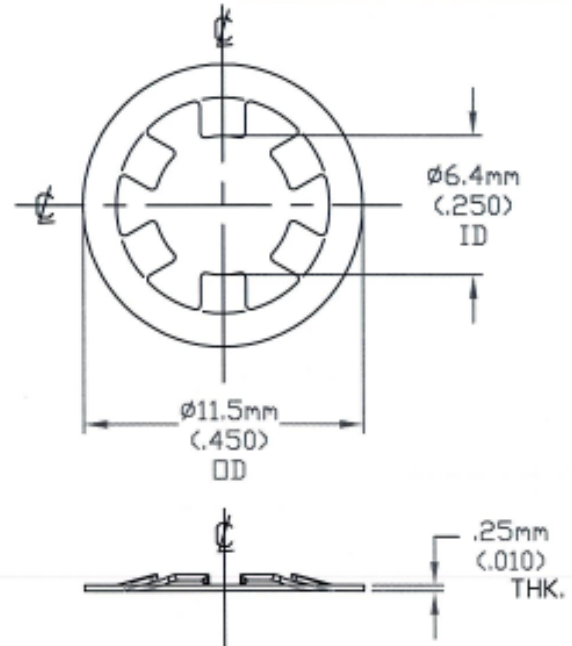
ALL TOLERANCES ARE IN INCHES

<b>MAT'L</b> HIGH CARBON STEEL.		TOLERANCES ON DIMENSIONS UNLESS OTHERWISE SPECIFIED $X^\circ = \pm 2^\circ$ .XX = $\pm .015$ $X/X = \pm 1/32$ .XXX = $\pm .010$		<b>DFCI SOLUTIONS INC.</b> 425 UNION BOULEVARD WEST ISLIP, NEW YORK 11795	
<b>HEAT TREAT</b> SPRING TEMPER.		<b>PART NO.</b>		<b>TYPE</b> PX-1600 SIZE 4 RETAINER. 1632-4101-Z3CT	
<b>FINISH</b> AS NOTED.		<b>DRN</b> S. Francis DATE 11-21-06		<b>SIZE</b> A <b>FSCM NO</b> 72794 <b>DWG. NO.</b> C1632-101 <b>REV.</b> A	
<small>THE PARTS SHOWN IN THIS PRINT ARE PROPRIETARY ARTICLES TO WHICH DFCI SOLUTIONS INC. RETAINS THE EXCLUSIVE RIGHTS OF MANUFACTURE, USE AND SALE. THE PRINT OR DRAWING IS SUBMITTED IN CONFIDENCE AND DOES NOT CONVEY A LICENSE OR PERMISSION TO MANUFACTURE THE PARTS IN PARTS.</small>		<b>CHK</b> F. Basil DATE 11-22-06		<b>SCALE</b> NTS <b>WT.</b>	
<b>DATE:</b> 07/01/06 <b>FORM:</b> DRAWING		<b>ENG</b> R. OLSON DATE 11/22/06		<b>SHEET</b> 1 OF 2	
<b>APPLICATION BLOCK</b>		<b>MFG</b> JS DATE 11-22-06		<b>QC</b> B. Hildebrand DATE 11/22/06	
<b>NEXT ASSY</b>		<b>USED ON</b>		<b>SALES</b>	

UNCONTROLLED

C1632-101 SHT. 2 of 2 REV. A

REVISIONS			
SYM	DESCRIPTION	DATE	APPROV
A	INITIAL RELEASE PER ECN 920.	11-21-06	R. OLSEN



SIZE 6 RETAINER  
(SEE NOTE 1)

RING P/N	FINISH
1632-6101-Z3CT	ZINC PLATE PER ASTM-B-633, TYPE III, SC 2, CLEAR TRIVALENT CHROMATE.

NOTE:  
1. FOR SIZE 4 RETAINER P/N 1632-4101-Z3CT SEE SHEET 1 of 2.

ALL TOLERANCES ARE IN INCHES

MAT'L HIGH CARBON STEEL.	TOLERANCES ON DIMENSIONS UNLESS OTHERWISE SPECIFIED X° = ±2° .XX = ±.015 X/X = ±1/32 .XXX = ±.010		MACHINE FINISH 125T		DFCI SOLUTIONS INC. 425 UNION BOULEVARD WEST ISLIP, NEW YORK 11795	
HEAT TREAT SPRING TEMPER.	PART NO.	DRN S. Franjuc	DATE 11-21-06	TYPE PX-1600 SIZE 6 RETAINER. 1632-6101-Z3CT		
FINISH AS NOTED.		CHK F. Basile	DATE 11-22-06			
		ENG R. OLSEN	DATE 11/22/06	SIZE A	FSCM NO 72794	DWG. NO. C1632-101
	NEXT ASSY	USED ON	DATE 11/22/06	SCALE NTS	WT.	REV. A
	APPLICATION BLOCK	SALES	DATE	SHEET 2 OF 2		

DATE: 07/01/06 FORM: DRAWING