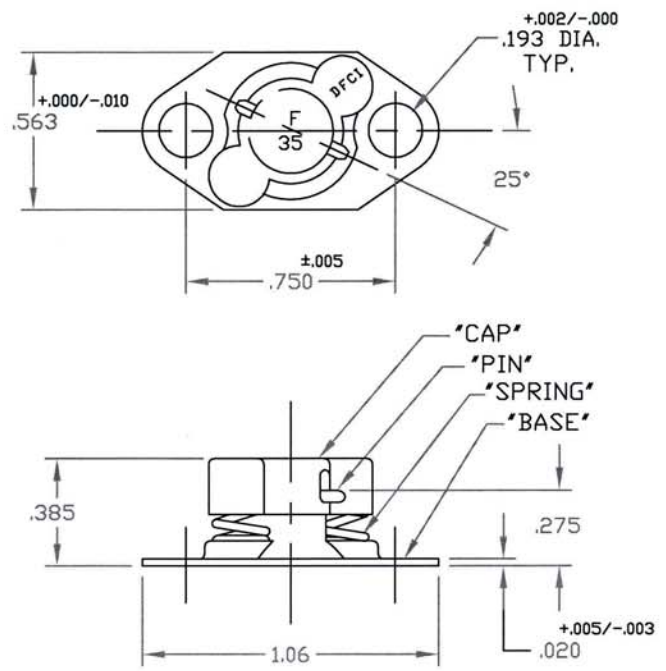



UNCONTROLLED

C2350F-20S SHT. 1of2 REV. *B*

REVISIONS			
SYM	DESCRIPTION	DATE	APPROV
B	ADD TOL.& WEIGHT ECN 1125	1-6-09	<i>FB</i>



FOR PART NO. REFER TO SHEET 2of2.

MAT'L PER NOTE 1.	TOLERANCES ON DIMENSIONS UNLESS OTHERWISE SPECIFIED X* = ±2" .XX = ±.015 X/X = ±1/32 .XXX = ±.010 MACHINE FINISH 125/		 DFCI SOLUTIONS INC. 425 UNION BOULEVARD WEST ISLIP, NEW YORK 11795	
HEAT TREAT PER NOTE 2.	PART NO.	DRN <i>S. Francis</i> DATE 6-8-07	TITLE SU-2300 RECEPTACLE ASSY.	
FINISH PASSIVATE PER QQ-P-35.		CHK <i>F. Basile</i> DATE 1-9-09	2350-18F-20S-PAS	
<small>THE FASTENER PARTS SHOWN IN THIS PRINT ARE PROPRIETARY ARTICLES TO WHICH DFCI SOLUTIONS INC. RETAINS THE EXCLUSIVE RIGHTS OF MANUFACTURE, USE AND SALE. THE PRINT OR DRAWING IS SUBMITTED IN CONFIDENCE AND DOES NOT CONVEY A LICENSE OR PERMISSION TO MANUFACTURE THE FASTENER OR FASTENER PARTS.</small> <small>© COPYRIGHT 2009, DFCI SOLUTIONS INC. ALL RIGHTS RESERVED.</small>	NEXT ASSY	USED ON	SIZE A FSCM NO 72794 DWG. NO. C2350F-20S	REV. B
	APPLICATION BLOCK	SALES	SCALE NTS WT.	SHEET 1 OF 2
		DATE		

DATE: 07/01/06 FORM: DRAWING

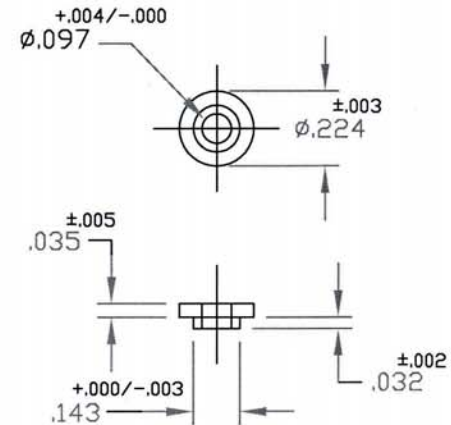
UNCONTROLLED

C2350F-20S SHT. 2 of 2 REV. *B*

REVISIONS			
SYM	DESCRIPTION	DATE	APPROV
B	ADD TOL. & WEIGHT ECN 1125	1-6-09	<i>FB</i>

NOTES:

- MATERIALS:
17-7 ST. STEEL: BASE, CAP, PIN & SPRING.
SPACER: TYPE 303 ST. STEEL.
- HEAT TREATMENT:
ROCKWELL C38 - 44: BASE, PIN & SPRING.
- TWO (2) SPACERS P/N 2350-18F-5-SS ARE SUPPLIED
W/EACH 2350-18F-20S-PAS RECEPTACLE ASSY.



SPACER
(SEE NOTE 3)

PART NO.	WEIGHT (LBS.)
2350-18F-20S-PAS	.0065

MAT'L PER NOTE 1.		TOLERANCES ON DIMENSIONS UNLESS OTHERWISE SPECIFIED X° = ±2° .XX = ± .015 X/X = ±1/32 .XXX = ± .010 MACHINE FINISH 125/T		DFCI SOLUTIONS INC. 425 UNION BOULEVARD WEST ISLIP, NEW YORK 11795	
HEAT TREAT PER NOTE 2.		PART NO.	DRN <i>S. Francis</i> DATE 6-8-07	TITLE SU-2300 RECEPTACLE ASSY. 2350-18F-20S-PAS	
FINISH PASSIVATE PER QQ-P-35.		CHK <i>F. Basil</i> DATE 1-6-09	ENG <i>B. Hilgert</i> DATE 1/6/09	SIZE A	FSCM NO 72794
<small>THE FASTENER PARTS SHOWN IN THIS PRINT ARE PROPRIETARY ARTICLES TO WHICH DFCI SOLUTIONS INC. RETAINS THE EXCLUSIVE RIGHTS OF MANUFACTURE, USE AND SALE. THE PRINT OR DRAWING IS SUBMITTED IN CONFIDENCE AND DOES NOT CONVEY A LICENSE OR PERMISSION TO MANUFACTURE THE FASTENER OR FASTENER PARTS.</small>		MFG <i>B. Hilgert</i> DATE 1/6/09	DATE 1/6/09	DWG. NO. C2350F-20S	REV. B
NEXT ASSY	USED ON	SALES <i>B. Hilgert</i> DATE 1/6/09	SCALE NTS	WT.	SHEET 2 OF 2
APPLICATION BLOCK		DATE			

DATE: 07/01/06 FORM: DRAWING