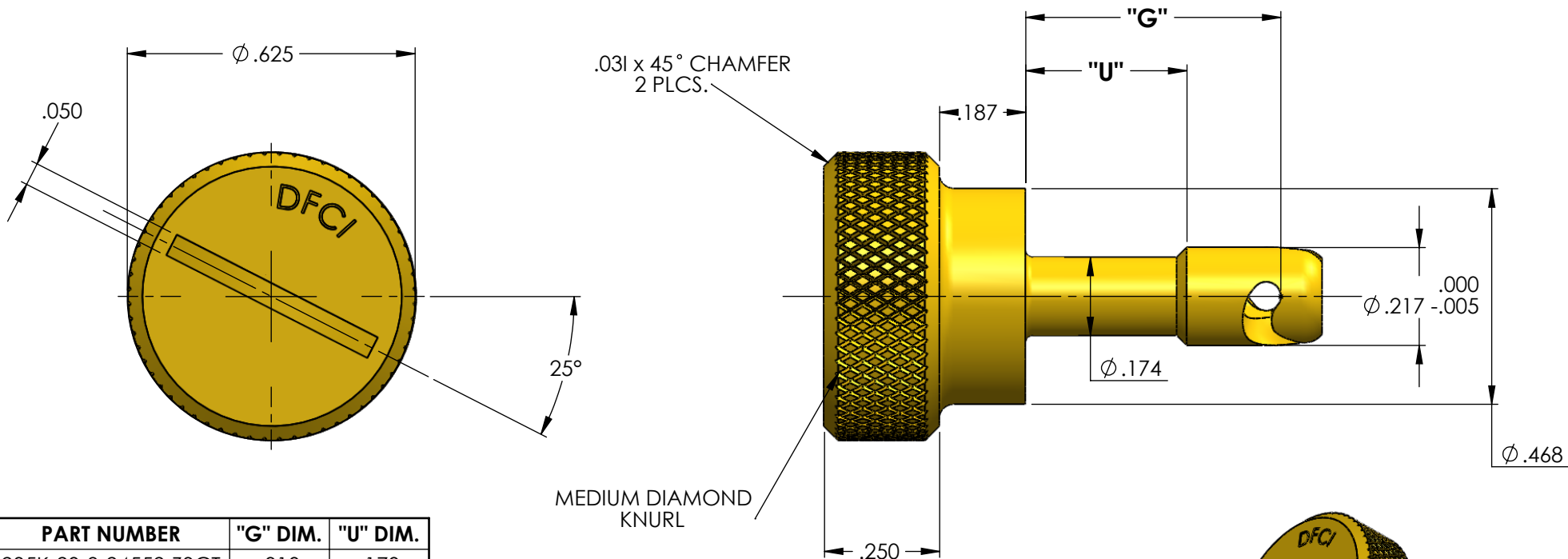


**NOTES:** 1. FINISH-ZINC PLATE PER ASTM-B-633, TYPE III, SC2 CLEAR TRIVALENT CHROMATE WITH SEALER.

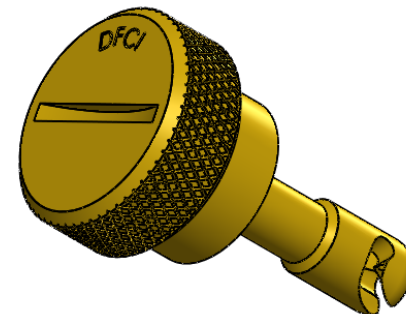
2. FOR THE APPLICATION OF ALTERNATIVE FINISHES, REMOVE SUFFIX Z3CT FROM THE PART NUMBER AND ADD THE REQUIRED FINISH TO THE PART NUMBER.  
 EXAMPLE: FOR YELLOW ZINC TRIVALENT CHROMATE FINISH, THE PART NUMBER WILL BE 235K-20-8-Z3YT.
3. PLEASE VISIT WWW.DFCI.COM/C235K-24552 FOR A LIST OF AVAILABLE FINISHES.

REVISIONS			
SYS	DESCRIPTION	DATE	APPROV
A	PER ECN. 854 & 1168	2-14-12	



PART NUMBER	"G" DIM.	"U" DIM.
235K-20-8-24552-Z3CT	.310	.170
235K-20-12-24552-Z3CT	.350	.210
235K-20-16-24552-Z3CT	.390	.250
235K-20-19-24552-Z3CT	.420	.290
235K-20-28-24552-Z3CT	.510	.370
235K-20-43-24552-Z3CT	.660	.530
235K-20-60-24552-Z3CT	.830	.530

**UNCONTROLLED**



MATERIAL: A.I.S.I. 8620 STEEL
HEAT TREAT: ROCKWELL C30-C38
FINISH: SEE NOTE 1
THE FASTENER PARTS SHOWN IN THIS PRINT ARE PROPRIETARY ARTICLES TO WHICH DFCI SOLUTIONS INC., RETAINS THE EXCLUSIVE RIGHTS OF MANUFACTURE, USE AND SALE. THE PRINT OR DRAWING IS SUBMITTED IN CONFIDENCE AND DOES NOT CONVEY A LICENSE OR PERMISSION TO MANUFACTURE THE FASTENER OR FASTENER PARTS.
(C) COPYRIGHT 2009, DFCI SOLUTIONS INC. ALL RIGHTS RESERVED.

TOLERANCES ON DIMENSIONS UNLESS OTHERWISE SPECIFIED			
X* = ±2*	.XX = ±.015	MACHINE FINISH = 125/7	
X/X = ±1/32	.XXX = ±.010		
PART NO. SEE TABLE	DRN <i>Frank Basile</i>	DATE	02-14-12
	CHK. <i>Frank Basile</i>	DATE	02-14-12
	ENG. <i>Robert Alldread</i>	DATE	02-14-12
	MFG. <i>Rashm Lubman</i>	DATE	02-14-12
	G.C. <i>Robert Alldread</i>	DATE	02-14-12
NEXT ASSY	USED ON	SALES.	DATE
APPLICATION BLOCK			

<b>DFCI SOLUTIONS INC.</b>		425 UNION BOULEVARD. WEST ISLIP, NEW YORK 11795	
TITLE SU-2300 KNURLED HEAD STUD 235K-20-**-24552-Z3CT			
SIZE A	FSCM NO 72794	DWG. NO. C235K-24552	REV. A
SCALE: NTS		WEIGHT:	SHEET 1 OF 1