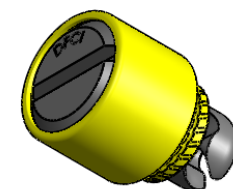
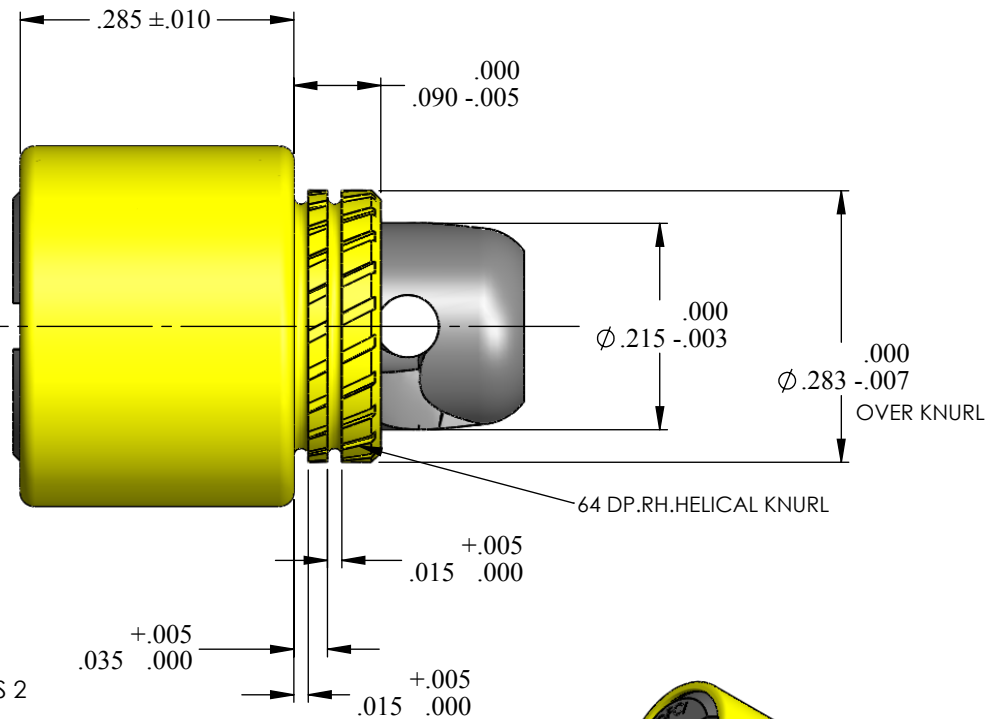
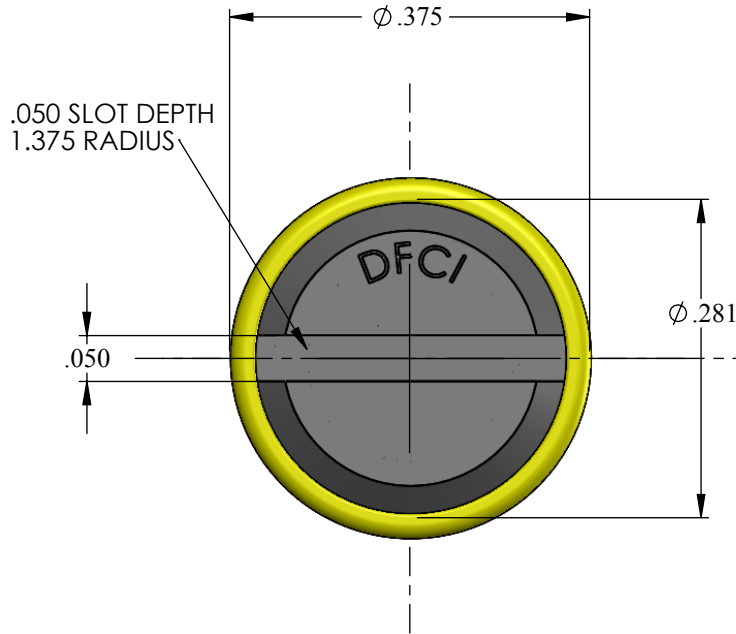


UNCONTROLLED

REVISIONS			
SYS	DESCRIPTION	DATE	APPROV
B	PER ECN 1227	04-30-13	



FINISH: CUP- CADMIUM PLATE WITH BLACK CHROMATE PER QQ-P-416, TYPE II CLASS 2 THE ABOVE MENTIONED FINISH WILL BE SUPPLIED ON THE CUP UNTIL DEPLETION OF EXISTING STOCK. ONCE EXISTING STOCK IS DEPLETED THE FINISH WILL BE ZINC PLATE PER ASTM-B-633, TYPE II, SC2 WITH BLACK TRIVALENT DYE WITH SEALER.

SPRING- ZINC PLATE PER ASTM-B-633, TYPE III, SC2 CLEAR TRIVALENT CHROMATE WITH SEALER.

STUD- ZINC PLATE PER ASTM-B-633, TYPE II, SC2 WITH BLACK TRIVALENT DYE WITH SEALER.

MATERIAL:	CUP:C1010,C1008,1215 OR 8620 STEEL SPRING:MUSIC WIRE PER ASTM-A-228 STUD:CARBON STEEL
HEAT TREAT:	STUD: ROCKWELL C30-38
FINISH:	NOTED
<small>THE FASTENER PARTS SHOWN IN THIS PRINT ARE PROPRIETARY ARTICLES TO WHICH DFCI SOLUTIONS INC., RETAINS THE EXCLUSIVE RIGHTS OF MANUFACTURE, USE AND SALE. THE PRINT OR DRAWING IS SUBMITTED IN CONFIDENCE AND DOES NOT CONVEY A LICENSE OR PERMISSION TO MANUFACTURE THE FASTENER OR FASTENER PARTS.</small>	
(C) COPYRIGHT 2009, DFCI SOLUTIONS INC. ALL RIGHTS RESERVED.	

TOLERANCES ON DIMENSIONS UNLESS OTHERWISE SPECIFIED			
X* = ±1/2°	.XX = ±.010	CONCENTRICITY F.I.M. .005	
X/X = ±1/64	.XXX = ±.005	MACHINE FINISH = .63	
PART NO.	DRN	DATE	
	Frank Basile	2/2/2011	
	CHK.	DATE	
	Frank Basile	2/2/2011	
	ENG.	DATE	
	Robert Alldread	2/2/2011	
	MFG	DATE	
	Rashid Ibrahim	2/2/2011	
	Q.C.	DATE	
	Robert Alldread	2/2/2011	
NEXT ASSY	USED ON	SALES.	DATE
APPLICATION BLOCK			

DFCI SOLUTIONS INC.
425 UNION BOULEVARD.
WEST ISLIP, NEW YORK 11795

TITLE PA-3500 STUD ASSEMBLY
3501-41-241229-Z3BT

SIZE	FSCM NO	DWG. NO.	REV.
A	72794	C3501-41-241229	B

SCALE: NTS

WEIGHT:

SHEET 1 OF 1