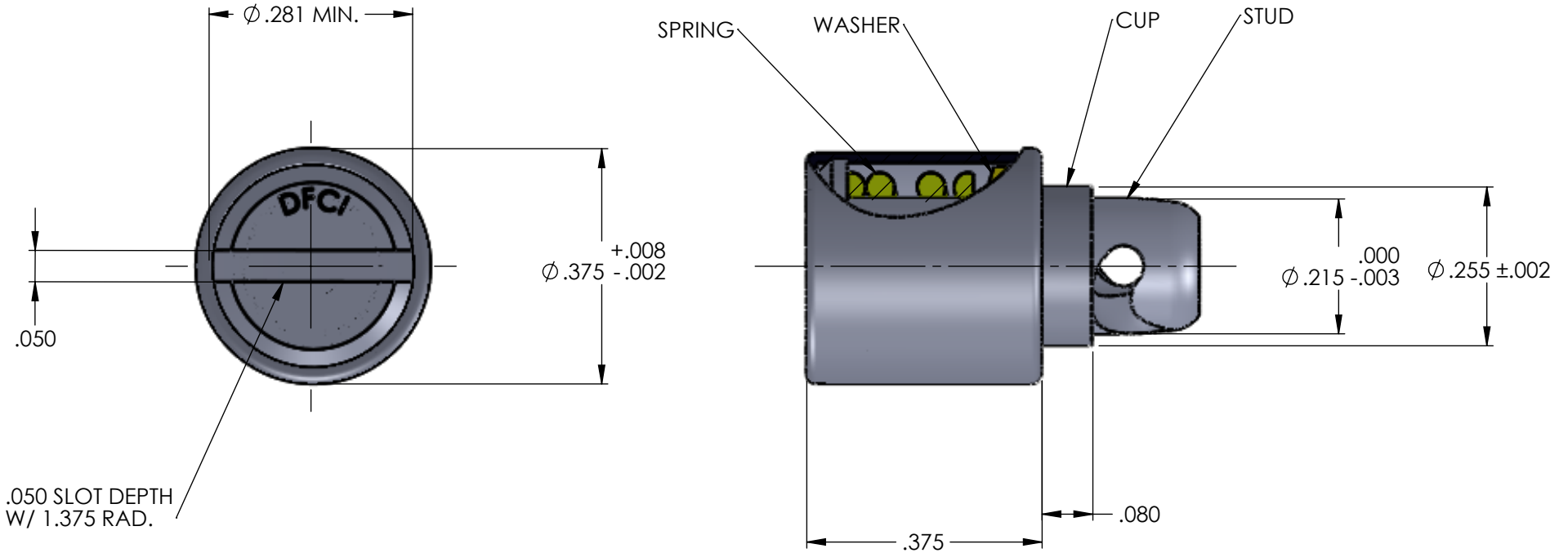


REVISIONS			
SYS	DESCRIPTION	DATE	APPROV
A	INITIAL RELEASE	01-11-2012	



UNCONTROLLED

MATERIAL: SEE NOTE 1
HEAT TREAT: SEE NOTE 2
FINISH: SEE NOTE 3
THE FASTENER PARTS SHOWN IN THIS PRINT ARE PROPRIETARY ARTICLES TO WHICH DFCI SOLUTIONS INC., RETAINS THE EXCLUSIVE RIGHTS OF MANUFACTURE, USE AND SALE. THE PRINT OR DRAWING IS SUBMITTED IN CONFIDENCE AND DOES NOT CONVEY A LICENSE OR PERMISSION TO MANUFACTURE THE FASTENER OR FASTENER PARTS. (C) COPYRIGHT 2009, DFCI SOLUTIONS INC. ALL RIGHTS RESERVED.

TOLERANCES ON DIMENSIONS UNLESS OTHERWISE SPECIFIED			
X* = ±2°	.XX = ±.015	MACHINE FINISH = 1257	
X/X = ±1/32	.XXX = ±.010		
PART NO. 3501-47-241880-BOC	DRN <i>Frank Basile</i>	DATE 01-11-12	
	CHK. <i>Frank Basile</i>	DATE 01-11-12	
	ENG. <i>Robert Alldorand</i>	DATE 01-11-12	
	MFG. <i>Charles J. Pomicino</i>	DATE 01-11-12	
	G.C. <i>Robert Alldorand</i>	DATE 01-11-12	
NEXT ASSY	USED ON	SALES.	DATE
APPLICATION BLOCK			

DFCI SOLUTIONS INC.
425 UNION BOULEVARD.
WEST ISLIP, NEW YORK 11795

TITLE PA-3500 LINE STUD ASSEMBLY 3501-47-241880-BOC			
SIZE A	FSCM NO. 72794	DWG. NO. C3501-47-241880	REV. A
SCALE: NTS		WEIGHT:	SHEET 1 OF 2



REVISIONS			
SYS	DESCRIPTION	DATE	APPROV
A	INITIAL RELEASE	01-11-2012	

NOTES:

1. MATERIAL:
 STUD: A.I.S.I. 4037, 1118, OR 8620 STEEL
 CUP: A.I.S.I. 1008, 1010, 1215, OR 8620 STEEL
 SPRING: 17-7PH STAINLESS STEEL
 WASHER: A.I.S.I. 1095 STEEL

2. HEAT TREAT:
 STUD: ROCKWELL C30-38

3. FINISH:
 STUD AND CUP: BLACK OXIDE OVER COPPER PLATE WITH DULL ACRYLIC
 DIP COATING PER AMS 2418, CLASS 1 FOR THE COPPER
 AND MIL-F-495 FOR THE BLACK OXIDE.
 WASHER: ZINC PLATE PER ASTM-B-633, TYPE III, SC 2, CLEAR
 TRIVALENT CHROMATE WITH SEALER.

UNCONTROLLED

MATERIAL: SEE NOTE 1 HEAT TREAT: SEE NOTE 2 FINISH: SEE NOTE 3 <small>THE FASTENER PARTS SHOWN IN THIS PRINT ARE PROPRIETARY ARTICLES TO WHICH DFCI SOLUTIONS INC., RETAINS THE EXCLUSIVE RIGHTS OF MANUFACTURE, USE AND SALE. THE PRINT OR DRAWING IS SUBMITTED IN CONFIDENCE AND DOES NOT CONVEY A LICENSE OR PERMISSION TO MANUFACTURE THE FASTENER OR FASTENER PARTS. (C) COPYRIGHT 2009, DFCI SOLUTIONS INC. ALL RIGHTS RESERVED.</small>	TOLERANCES ON DIMENSIONS UNLESS OTHERWISE SPECIFIED X° = ±2° .XX = ±.015 X/X = ±1/32 .XXX = ±.010 MACHINE FINISH = .125	<div style="text-align: center;"> <p>DFCI SOLUTIONS INC. 425 UNION BOULEVARD. WEST ISLIP, NEW YORK 11795</p> </div> <p style="text-align: center; font-weight: bold;">PA-3500 LINE STUD ASSEMBLY 3501-47-241880-BOC</p>																																
	<table border="1" style="width: 100%; border-collapse: collapse;"> <tr> <td style="width: 20%;">PART NO.</td> <td style="width: 20%;">3501-47-241880-BOC</td> <td style="width: 20%;">DRN</td> <td style="width: 20%;">DATE</td> </tr> <tr> <td></td> <td></td> <td>Frank Basile</td> <td>01-11-12</td> </tr> <tr> <td></td> <td></td> <td>Frank Basile</td> <td>01-11-12</td> </tr> <tr> <td></td> <td></td> <td>Robert Altabrand</td> <td>01-11-12</td> </tr> <tr> <td></td> <td></td> <td>Charles J. Pinnel</td> <td>01-11-12</td> </tr> <tr> <td></td> <td></td> <td>Robert Altabrand</td> <td>01-11-12</td> </tr> </table>	PART NO.	3501-47-241880-BOC	DRN	DATE			Frank Basile	01-11-12			Frank Basile	01-11-12			Robert Altabrand	01-11-12			Charles J. Pinnel	01-11-12			Robert Altabrand	01-11-12	<table border="1" style="width: 100%; border-collapse: collapse;"> <tr> <td style="width: 10%;">SIZE</td> <td style="width: 10%;">FSCM NO</td> <td style="width: 20%;">DWG. NO.</td> <td style="width: 20%;">REV.</td> </tr> <tr> <td>A</td> <td>72794</td> <td>C3501-47-241880</td> <td>A</td> </tr> </table>	SIZE	FSCM NO	DWG. NO.	REV.	A	72794	C3501-47-241880	A
PART NO.	3501-47-241880-BOC	DRN	DATE																															
		Frank Basile	01-11-12																															
		Frank Basile	01-11-12																															
		Robert Altabrand	01-11-12																															
		Charles J. Pinnel	01-11-12																															
		Robert Altabrand	01-11-12																															
SIZE	FSCM NO	DWG. NO.	REV.																															
A	72794	C3501-47-241880	A																															
	NEXT ASSY USED ON APPLICATION BLOCK SALES.	SCALE: NTS WEIGHT: SHEET 2 OF 2																																