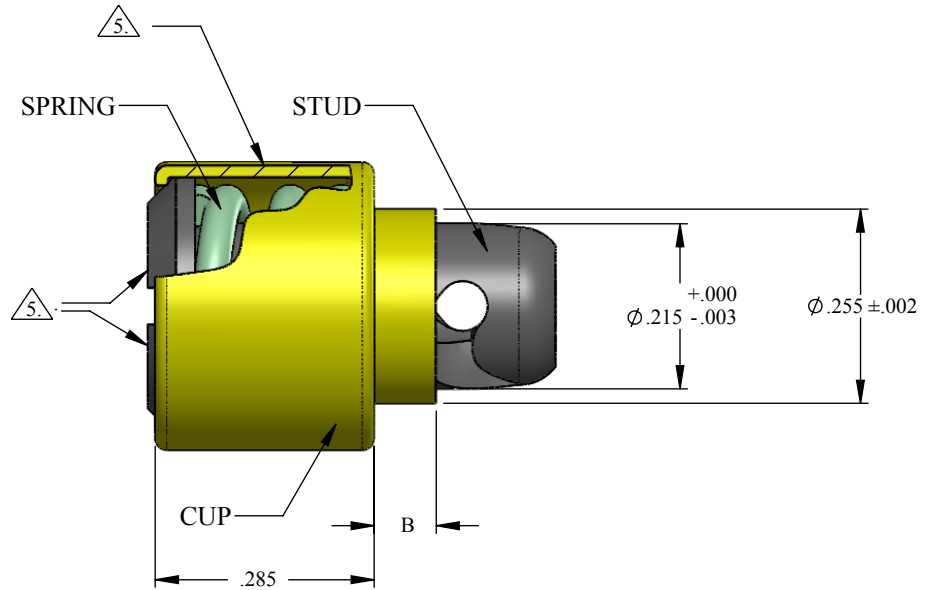
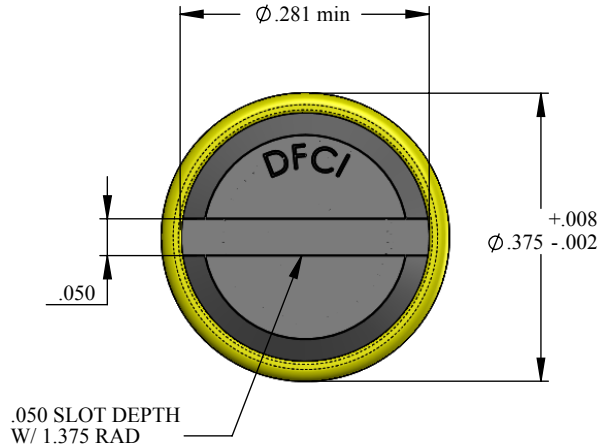
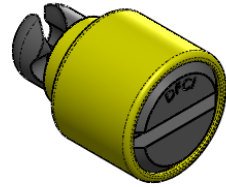


UNCONTROLLED



| REVISIONS | | | |
|-----------|------------------------------------|----------|--------|
| SYS | DESCRIPTION | DATE | APPROV |
| A | INITIAL RELEASE PER ECN 845 & 1168 | 04/25/11 | |

FOR PART NO. REFER TO SHEET 2 OF 2

MATERIAL: SEE SHEET 2 OF 2 NOTE 1

HEAT TREAT: N/A

FINISH: N/A

THE FASTENER PARTS SHOWN IN THIS PRINT ARE PROPRIETARY ARTICLES TO WHICH DFCI SOLUTIONS INC., RETAINS THE EXCLUSIVE RIGHTS OF MANUFACTURE, USE AND SALE. THE PRINT OR DRAWING IS SUBMITTED IN CONFIDENCE AND DOES NOT CONVEY A LICENSE OR PERMISSION TO MANUFACTURE THE FASTENER OR FASTENER PARTS.

(C) COPYRIGHT 2009, DFCI SOLUTIONS INC. ALL RIGHTS RESERVED.

TOLERANCES ON DIMENSIONS UNLESS OTHERWISE SPECIFIED

X* = ±2°
X/X = ±1/32

.XX = ±.015
.XXX = ±.010

MACHINE FINISH = 125

| | | |
|----------|-------------------|---------------|
| PART NO. | DRN | DATE |
| | Frank Basile | 04/25/11 |
| | CHK. Frank Basile | DATE 04/25/11 |
| | ENG. [Signature] | DATE 04/25/11 |
| | MFG. [Signature] | DATE 04/25/11 |
| | G.C. [Signature] | DATE 04/25/11 |
| | SALES. | DATE |



DFCI SOLUTIONS INC.
425 UNION BOULEVARD.
WEST ISLIP, NEW YORK 11795

TITLE PA-3500 LINE STAINLESS STEEL STUD ASSY.
3506-SCxxx-A-SS

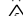
| | | | |
|------|----------|--------------|------|
| SIZE | FSCM NO. | DWG. NO. | REV. |
| A | 72794 | C3506-SCA-SS | A |

SCALE: NTS WEIGHT: SHEET 1 OF 2

UNCONTROLLED

| REVISIONS | | | |
|-----------|------------------------------------|----------|--------|
| SYS | DESCRIPTION | DATE | APPROV |
| A | INITIAL RELEASE PER ECN 845 & 1168 | 04/25/11 | |

NOTES :

- MATERIAL:
CUP: TYPE 303 STAINLESS STEEL
STUD: TYPE 303 STAINLESS STEEL
SPRING: TYPE 316 STAINLESS STEEL
- WHEN EPOXY PAINT IS APPLIED, ONLY SURFACES MARKED WITH  ARE COVERED.

| STUD ASSY. PART NO | PANEL THICKNESS RANGE | B DIM |
|--------------------|-----------------------|-------|
| 3506-SC37A-SS | .050-.059 | .070 |
| 3506-SC38A-SS | .060-.069 | .080 |
| 3506-SC39A-SS | .070-.079 | .090 |
| 3506-SC40A-SS | .080-.089 | .100 |
| 3506-SC41A-SS | .090-.099 | .110 |
| 3506-SC42A-SS | .100-.109 | .120 |
| 3506-SC43A-SS | .110-.119 | .130 |
| 3506-SC44A-SS | .120-.129 | .140 |
| 3506-SC45A-SS | .130-.139 | .150 |

| | | | | |
|-----------------------------------------------------------------------------------------------------------------------------------------------------------------------------------------------------------------------------------------------------------------------------------------------------|-----------------------------------------------------|---------------------------------|------------------------------|----------------------------|
| MATERIAL: SEE NOTE 1 | TOLERANCES ON DIMENSIONS UNLESS OTHERWISE SPECIFIED | | | |
| HEAT TREAT: N/A | X* = ±2° | .XX = ±.015 | MACHINE FINISH = 125 \sqrt | |
| FINISH: N/A | X/X = ±1/32 | .XXX = ±.010 | PART NO. | DRN: Frank Basile 04/25/11 |
| THE FASTENER PARTS SHOWN IN THIS PRINT ARE PROPRIETARY ARTICLES TO WHICH DFCI SOLUTIONS INC., RETAINS THE EXCLUSIVE RIGHTS OF MANUFACTURE, USE AND SALE. THE PRINT OR DRAWING IS SUBMITTED IN CONFIDENCE AND DOES NOT CONVEY A LICENSE OR PERMISSION TO MANUFACTURE THE FASTENER OR FASTENER PARTS. | CHK. Frank Basile 04/25/11 | DATE 04/25/11 | | |
| | ENG. Robert Aleksandr 04/25/11 | DATE 04/25/11 | | |
| NEXT ASSY | USED ON | MFG. Robert J. Parnell 04/25/11 | DATE 04/25/11 | |
| APPLICATION BLOCK | | Q.C. Robert Aleksandr 04/25/11 | DATE 04/25/11 | |
| (C) COPYRIGHT 2009, DFCI SOLUTIONS INC. ALL RIGHTS RESERVED. | | SALES. DATE | | |



DFCI SOLUTIONS INC.
 425 UNION BOULEVARD.
 WEST ISLIP, NEW YORK 11795

| | | | |
|------------------------------------------------------------------|----------------|-----------------------|--------|
| TITLE PA-3500 LINE STAINLESS STEEL STUD ASSY. 3506-SCxxx-A-SS | | | |
| SIZE A | FSCM NO. 72794 | DWG. NO. C3506-SCA-SS | REV. A |
| SCALE: NTS | WEIGHT: | SHEET 2 OF 2 | |