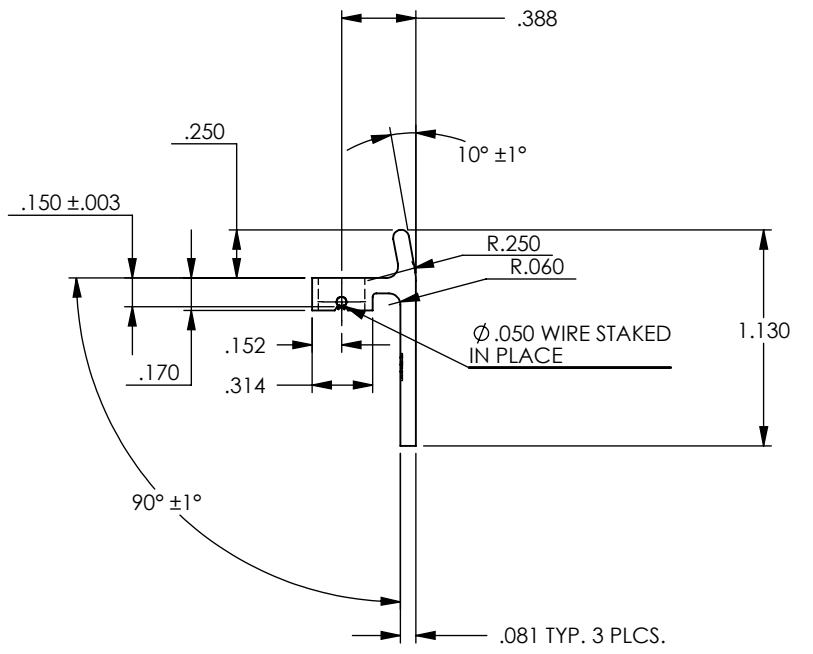
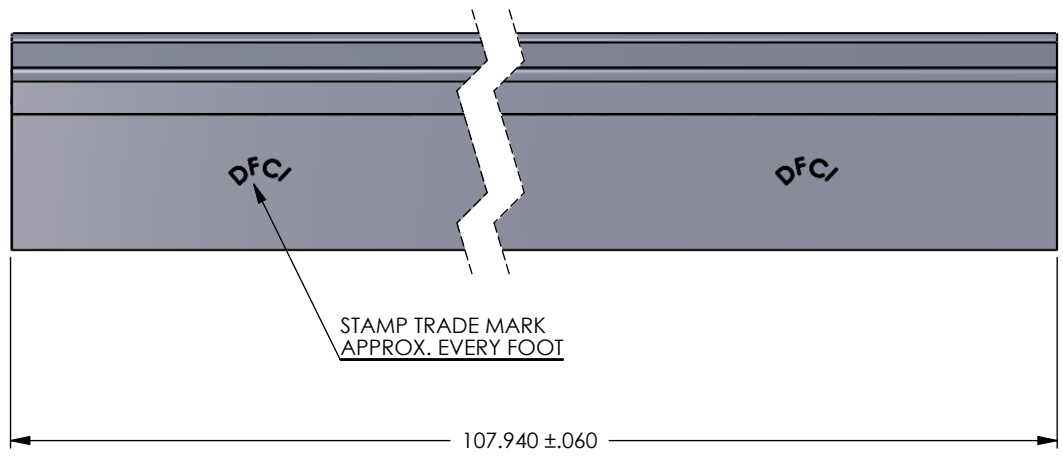
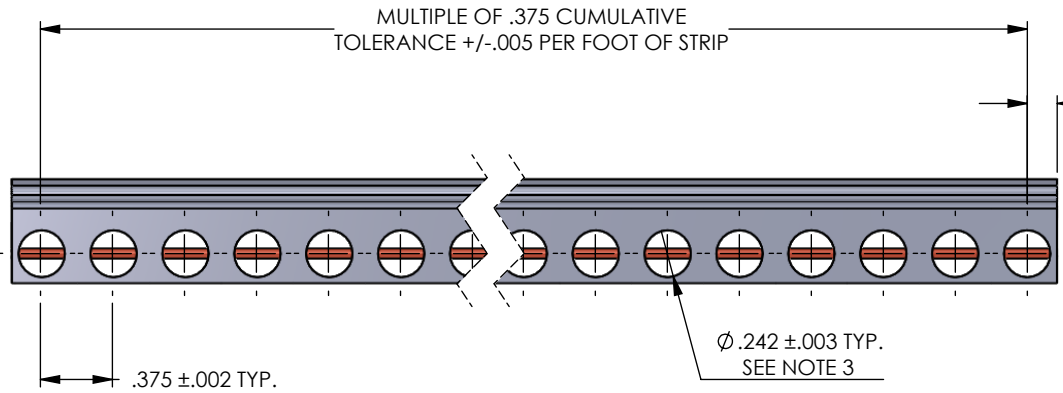


UNCONTROLLED

REVISIONS			
SYS	DESCRIPTION	DATE	APPROV
B	PER ECN 1168 & 1233	09/19/13	



MATERIAL:	SEE NOTE 1
HEAT TREAT:	T6 CONDITION
FINISH:	SEE NOTE 2
<small>THE FASTENER PARTS SHOWN IN THIS PRINT ARE PROPRIETARY ARTICLES TO WHICH DFCI SOLUTIONS INC., RETAINS THE EXCLUSIVE RIGHTS OF MANUFACTURE, USE AND SALE. THE PRINT OR DRAWING IS SUBMITTED IN CONFIDENCE AND DOES NOT CONVEY A LICENSE OR PERMISSION TO MANUFACTURE THE FASTENER OR FASTENER PARTS.</small>	
<small>(C) COPYRIGHT 2009, DFCI SOLUTIONS INC. ALL RIGHTS RESERVED.</small>	

TOLERANCES ON DIMENSIONS UNLESS OTHERWISE SPECIFIED			
X* = ±2°	.XX = ±.015	MACHINE FINISH = .125	
X/X = ±1/32	.XXX = ±.010		
PART NO.	3590-241775-H288-AC3	DRN	Frank Basile
		DATE	09/19/13
		CHK.	Frank Basile
		DATE	09/19/13
		ENG.	Robert Altkorn
		DATE	09/19/13
		MFG.	Rashid Ibrahim
		DATE	09/19/13
		Q.C.	Robert Altkorn
		DATE	09/19/13
NEXT ASSY	USED ON	SALES.	DATE

DFCI SOLUTIONS INC.

425 UNION BOULEVARD.
WEST ISLIP, NEW YORK 11795

PA-3500 RECEPTACLE STRIP

3590-241775-H288-AC3

SIZE	FSCM NO	DWG. NO.	REV.
A	72794	C3590-241775	B

SCALE: NTS

WEIGHT:

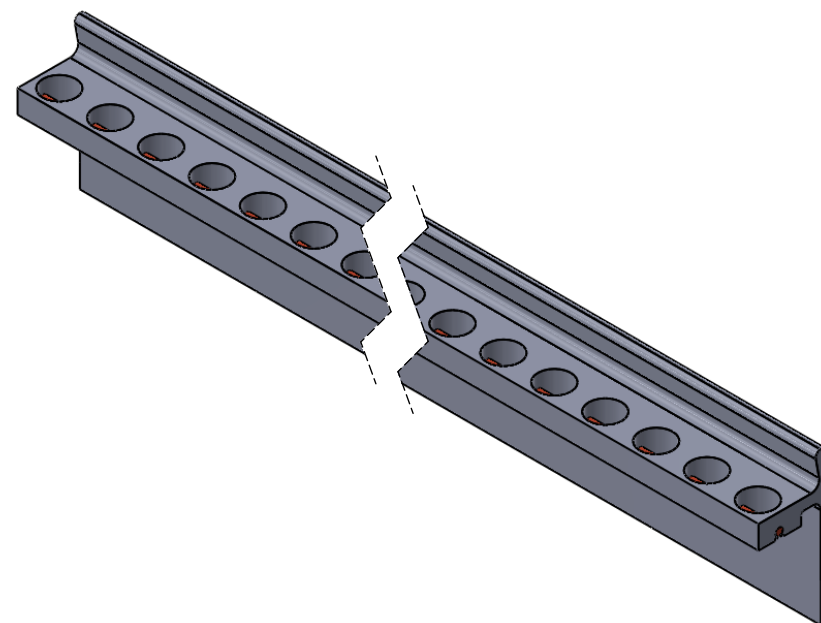
SHEET 1 OF 2


UNCONTROLLED

REVISIONS			
SYS	DESCRIPTION	DATE	APPROV
B	PER ECN 1168 & 1233	09/19/13	

- NOTES:**
- MATERIAL:**
RECEPTACLE STRIP: 6061-T6 ALUMINUM ALLOY PER QQ-A-200/8, COND. T6

WIRE: .050 DIA. STAINLESS STEEL TYPE 316 COND. B SPRING TEMPER
PER ASTM-A-313
 - FINISH:**
CHROMATE ALUMINUM CONVERSION COATING PER MIL-C-5541, CLASS 3
& MIL-C-81706, CLASS 3
 - SOME DISTORTION MAY ENTER THE .242 DIA. HOLE DUE TO STAKING OF WIRE. THIS WILL NOT AFFECT THE FUNCTION OF THE PRODUCT.



MATERIAL: SEE NOTE 1	TOLERANCES ON DIMENSIONS UNLESS OTHERWISE SPECIFIED X° = ±2° .XX = ±.015 X/X = ±1/32 .XXX = ±.010 MACHINE FINISH = .125			 DFCI SOLUTIONS INC. 425 UNION BOULEVARD. WEST ISLIP, NEW YORK 11795	
HEAT TREAT: T6 CONDITION	PART NO. 3590-241775-H288-AC3	DRN. Frank Basile	DATE 09/19/13		
FINISH: SEE NOTE 2		CHK. Frank Basile	DATE 09/19/13	TITLE PA-3500 RECEPTACLE STRIP 3590-241775-H288-AC3	
THE FASTENER PARTS SHOWN IN THIS PRINT ARE PROPRIETARY ARTICLES TO WHICH DFCI SOLUTIONS INC., RETAINS THE EXCLUSIVE RIGHTS OF MANUFACTURE, USE AND SALE. THE PRINT OR DRAWING IS SUBMITTED IN CONFIDENCE AND DOES NOT CONVEY A LICENSE OR PERMISSION TO MANUFACTURE THE FASTENER OR FASTENER PARTS.		ENG. [Signature]	DATE 09/19/13		
		MFG. Rashm Lubman	DATE 09/19/13		
(C) COPYRIGHT 2009, DFCI SOLUTIONS INC. ALL RIGHTS RESERVED.	NEXT ASSY	USED ON	Q.C. [Signature]	DATE 09/19/13	SIZE A FSCM NO. 72794 DWG. NO. C3590-241775 REV. B
	APPLICATION BLOCK		SALES.	DATE	SCALE: NTS WEIGHT: SHEET 2 OF 2