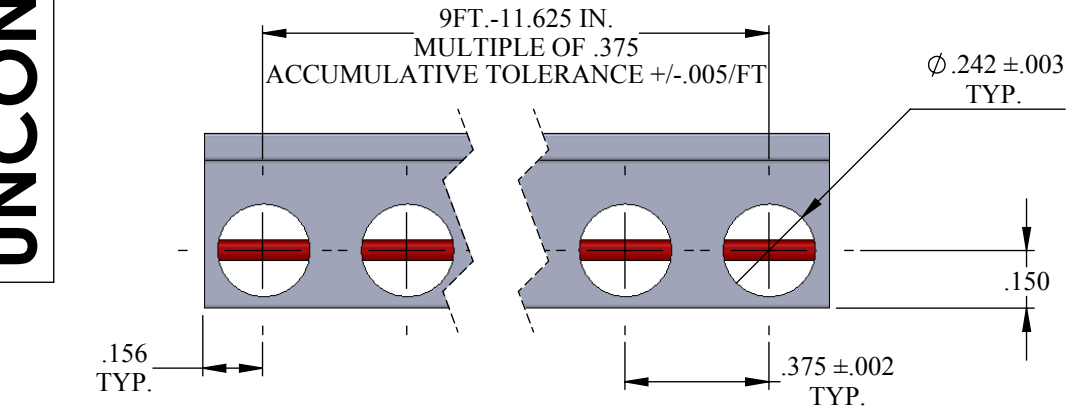
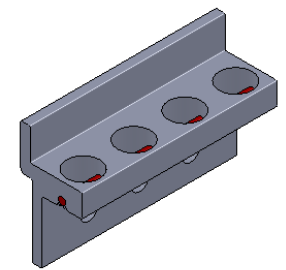
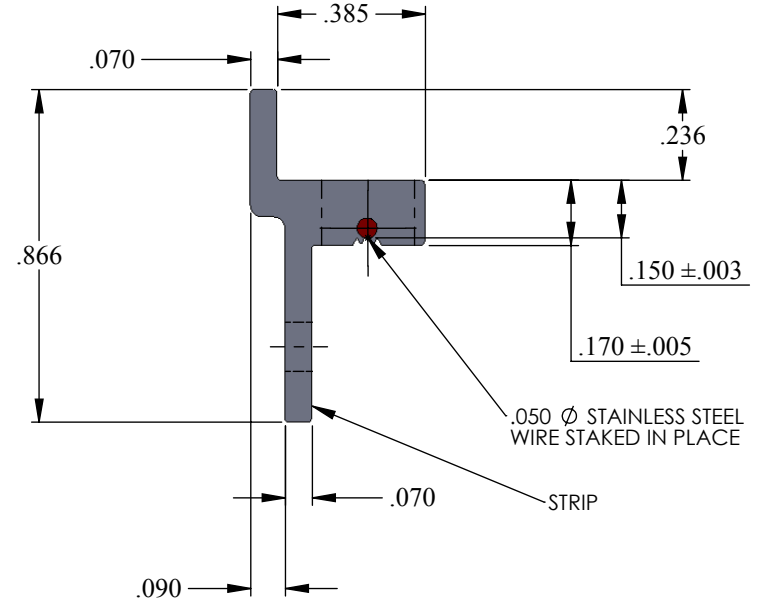
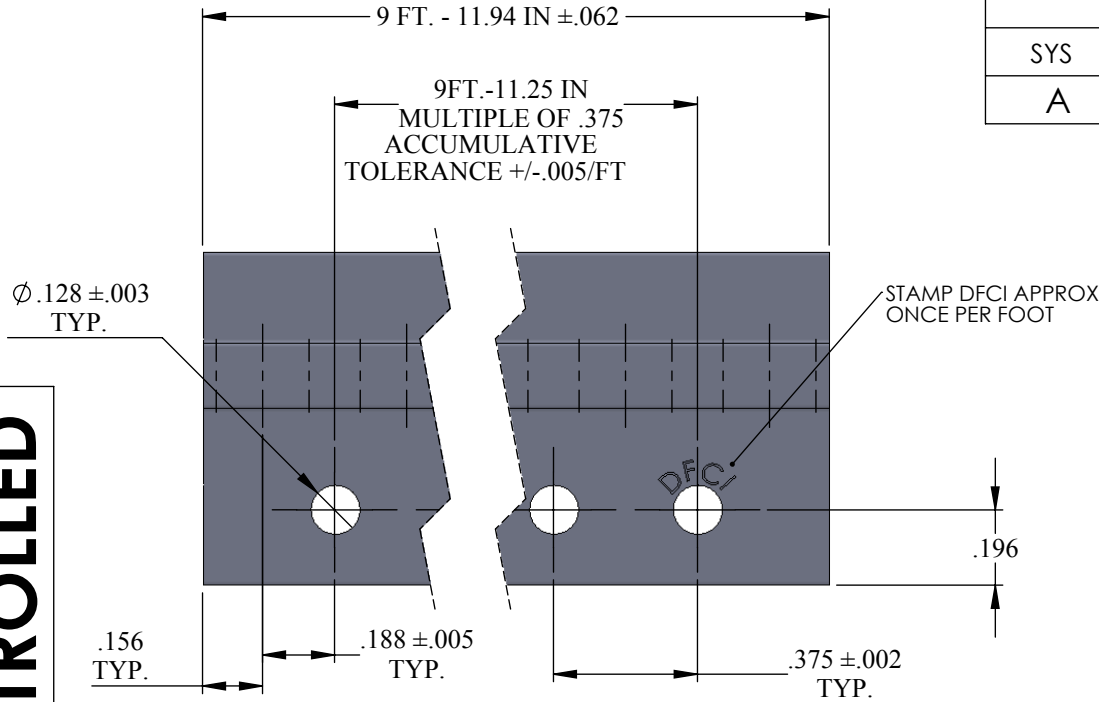


REVISIONS			
SYS	DESCRIPTION	DATE	APPROV
A	INITIAL RELEASE	08-04-11	

UNCONTROLLED



CUSTOMER APPROVAL SIGNATURE	DATE:

MATERIAL: STRIP: 6061-T6 ALUMINUM ALLOY WIRE: .050 DIA. TYPE 316 STAINLESS ST
HEAT TREAT: STRIP: CONDITION T6 TEMPER
FINISH: NATURAL
THE FASTENER PARTS SHOWN IN THIS PRINT ARE PROPRIETARY ARTICLES TO WHICH DFCI SOLUTIONS INC., RETAINS THE EXCLUSIVE RIGHTS OF MANUFACTURE, USE AND SALE. THE PRINT OR DRAWING IS SUBMITTED IN CONFIDENCE AND DOES NOT CONVEY A LICENSE OR PERMISSION TO MANUFACTURE THE FASTENER OR FASTENER PARTS. (C) COPYRIGHT 2009, DFCI SOLUTIONS INC. ALL RIGHTS RESERVED.

TOLERANCES ON DIMENSIONS UNLESS OTHERWISE SPECIFIED			
X* = ±2°	.XX = ±.015	MACHINE FINISH = 125	
X/X = ±1/32	.XXX = ±.010		
PART NO.	3590-241877-H320	DRN	Frank Basile
		DATE	08-04-11
		CHK.	Frank Basile
		DATE	08-04-11
		ENG.	Robert Altkorn
		DATE	08-04-11
		MFG.	Charles J. Parnell
		DATE	08-04-11
		G.C.	Robert Altkorn
		DATE	08-04-11
NEXT ASSY	USED ON	SALES.	
APPLICATION BLOCK			

DFCI SOLUTIONS INC.
425 UNION BOULEVARD.
WEST ISLIP, NEW YORK 11795

TITLE		PA-3500 LINE RECEPTACLE 3590-241877-H320	
SIZE	FSCM NO.	DWG. NO.	REV.
A	72794	C3590-241877	A
SCALE: NTS		WEIGHT:	SHEET 1 OF 1