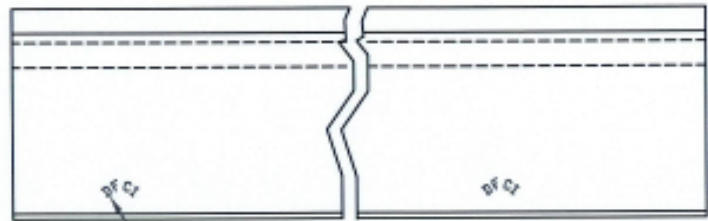


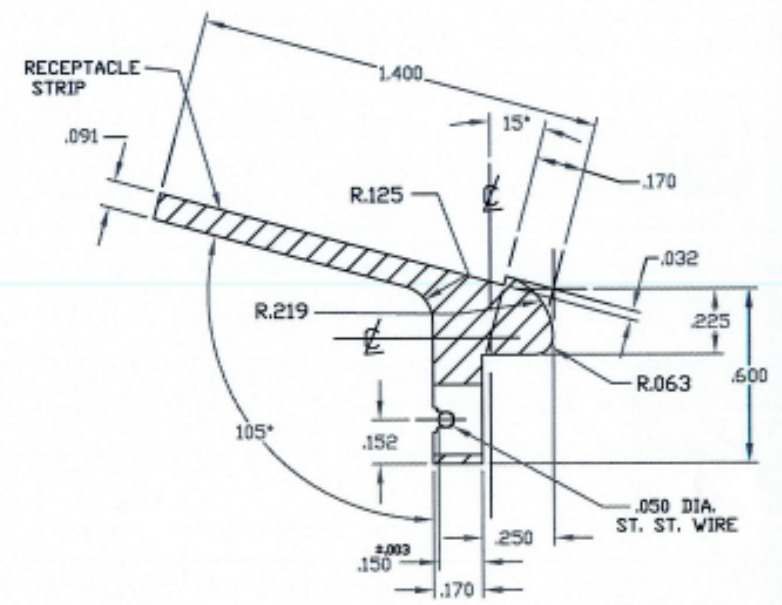
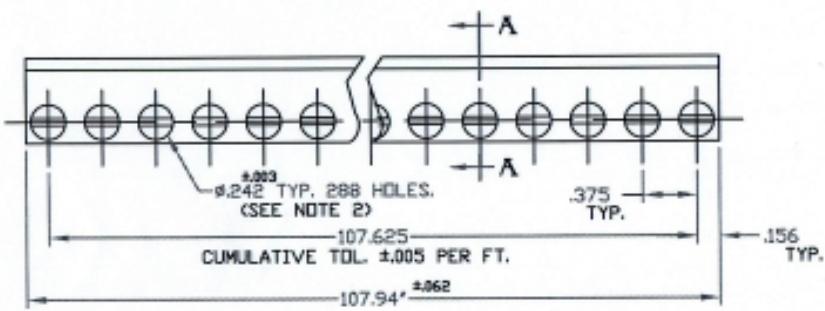
UNCONTROLLED

C3590-24773 SHT. 1 of 2 REV. A

REVISIONS			
SYM	DESCRIPTION	DATE	APPROV
A	NITIAL RELEASE PER ECN 845.	6-27-07	<i>R. OLSON</i>



STAMP TRADE MARK  
APPROX. EVERY FOOT.



SECTION A-A  
SCALED 2:1

FOR PART NO. REFER TO SHEET 2 of 2.

MATERIAL PER NOTE 1.	TOLERANCES ON DIMENSIONS UNLESS OTHERWISE SPECIFIED		<b>DFCI SOLUTIONS INC.</b> 425 UNION BOULEVARD WEST ISLIP, NEW YORK 11795	<b>PA-3500 9 FT. RECEPTACLE,</b> <b>3590-24773-H288.</b>	
	HEAT TREAT PER NOTE 1.	$X = \pm 2^*$ .XX = $\pm .015$ $X/X = \pm 1/32$ .XXX = $\pm .010$		MACHINE FINISH <u>125</u> PART NO. _____	DRN <i>S. Francis</i> DATE <u>6-28-07</u> CHK <i>F. Basil</i> DATE <u>6-28-07</u> ENG <i>R. OLSON</i> DATE <u>6/28/07</u> MFG <i>H. [Signature]</i> DATE <u>6/28/07</u>
FINISH CLEAN & FREE OF BURRS.	NEXT ASSY _____ USED ON _____ APPLICATION BLOCK _____	SALES _____ DATE _____	SCALE <b>NTS</b> WT. _____	SHEET <b>1 OF 2</b>	

DATE: 07/01/06 FORM: DRAWING

The parts shown in this print are proprietary articles to which DFCI Solutions, Inc. retains the exclusive rights of manufacture, use and sale. The print or drawing is submitted in confidence and does not convey a license or permission to manufacture the parts. Copyright © 2007 by DFCI Solutions, Inc. All rights reserved.


UNCONTROLLED

REVISIONS			
SYM	DESCRIPTION	DATE	APPROV
A	INITIAL RELEASE PER ECN 845.	6-27-07	R. OLSON

PART NO.
3590-24773-H288

NOTES:

- MATERIALS:  
RECEPTACLE STRIP: 6061-T6 ALUM. ALLOY PER QQ-A-200/8.  
WIRE: .050 DIA. TYPE 316 ST. STEEL, SPRING TEMPER.
- SOME DISTORTION MAY ENTER THE .242 DIA. HOLE, DUE TO STAKING OF WIRE. THIS WILL NOT AFFECT THE FUNCTION OF THE PRODUCT.

MAT'L PER NOTE 1.	TOLERANCES ON DIMENSIONS UNLESS OTHERWISE SPECIFIED X = ±2* .XX = ±.015 X/X = ±1/32 .XXX = ±.010		MACHINE FINISH 125T		 <b>DFCI SOLUTIONS INC.</b> 425 UNION BOULEVARD WEST ISLIP, NEW YORK 11795			
HEAT TREAT PER NOTE 1.	PART NO.	DRN S. Francis	DATE 6-26-07	<b>A-3500 9 FT. RECEPTACLE,</b> <b>3590-24773-H288.</b>				
FINISH CLEAN & FREE OF BURRS.		CHK F. Basil	DATE 6-27-07					
		ENG R. OLSON	DATE 6-27-07					
		MFG S. H.	DATE 6/27/07					
	NEXT ASSY	USED ON	QC D. Levine	DATE 6/27/07	SIZE A	FSCM NO 72794	DWG. NO. C3590-24773	REV. A
APPLICATION BLOCK		SALES	DATE	SCALE NTS	WT.	SHEET 2 OF 2		