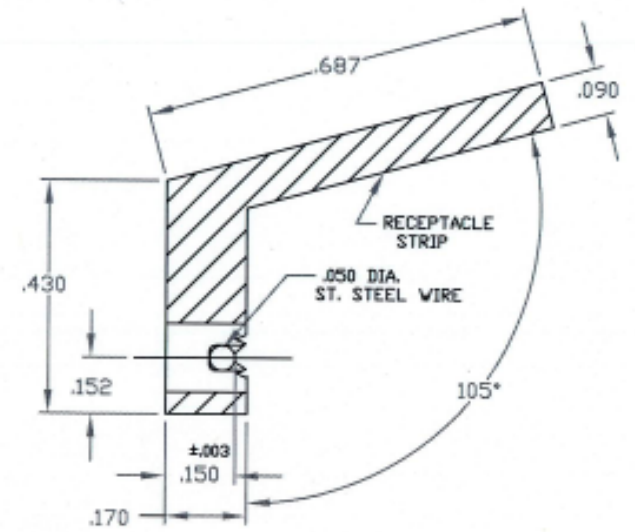
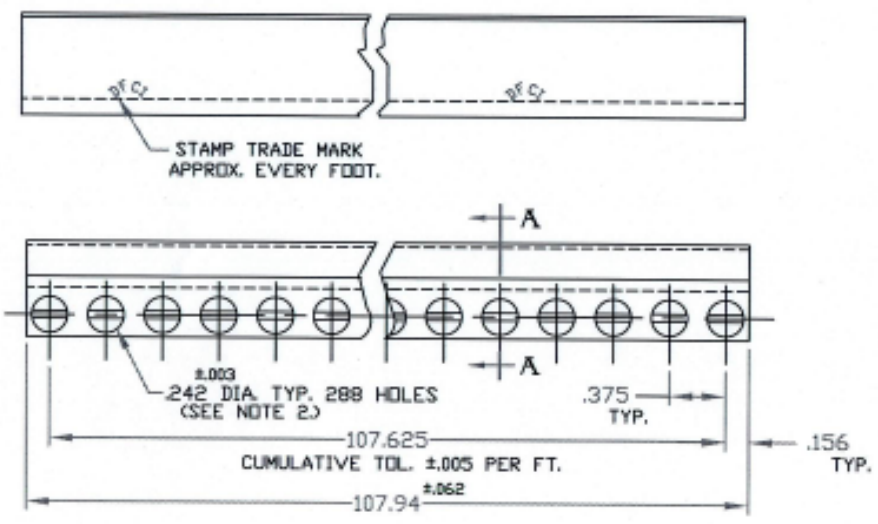


UNCONTROLLED


C3590-24780 SHT. 1 of 2 REV. A

REVISIONS			
SYM	DESCRIPTION	DATE	APPROV
A	INITIAL RELEASE PER ECN 845	2-26-07	R. OLSEN



SECTION A-A
ENLARGE VIEW

FOR PART NO. REFER TO SHEET 2.

MAT'L PER NOTE 1.	TOLERANCES ON DIMENSIONS UNLESS OTHERWISE SPECIFIED X* = $\pm 2^*$.XX = $\pm .015$ X/X = $\pm 1/32$.XXX = $\pm .010$ MACHINE FINISH 125		 DFCI SOLUTIONS INC. 425 UNION BOULEVARD WEST ISLIP, NEW YORK 11795				
HEAT TREAT PER NOTE 1.	PART NO.	DRN S. FRANZ's	DATE 2-26-07	PA-3500 9 ft. RECEPTACLE, 3590-24780-H288			
FINISH CLEAN & FREE OF BURRS.		CHK Z. Basil	DATE 3-6-07				
<small>THE FASTENER PARTS SHOWN IN THIS PRINT ARE PROPRIETARY ARTICLES TO WHICH DFCI SOLUTIONS, INC. RETAINS THE EXCLUSIVE RIGHTS OF MANUFACTURE, USE AND SALE. THE PRINT OR DRAWING IS SUBMITTED IN CONFIDENCE AND DOES NOT CONVEY A LICENSE OR PERMISSION TO MANUFACTURE THE PARTS OR FASTENER PARTS.</small> <small>© COPYRIGHT 2007, DFCI SOLUTIONS, INC. ALL RIGHTS RESERVED.</small>		ENG R. OLSEN	DATE 2-6-07	SIZE A			
	NEXT ASSY	USED ON	MFG JS	DATE 3-6-07	FSCM NO 72794		
	APPLICATION BLOCK	SALES	CC B. Holder	DATE 3/16/07	DWG. NO. C3590-24780		
DATE: 07/01/06	FORM: DRAWING			SCALE NTS	WT.	SHEET 1 OF 2	REV. A

The parts shown in this print are proprietary articles to which DFCI Solutions, Inc. retains the exclusive rights of manufacture, use and sale. The print or drawing is submitted in confidence and does not convey a license or permission to manufacture the parts. Copyright © 2007 by DFCI Solutions, Inc. All rights reserved.


UNCONTROLLED

REVISIONS			
SYM	DESCRIPTION	DATE	APPROV
A	INITIAL RELEASE PER ECN 845	2-26-07	R. OLSON

PART NO.
3590-24780-H288

NOTES:

- MATERIALS:
RECEPTACLE STRIP: 6061-T6 ALUM. ALLOY PER QQ-A-200/8.
WIRE: .050 DIA. TYPE 316 ST. STEEL, SPRING TEMPER.
- SOME DISTORTION MAY ENTER THE .242 DIA. HOLE, DUE TO STAKING OF WIRE. THIS WILL NOT AFFECT THE FUNCTION OF THE PRODUCT.

MAT'L PER NOTE 1.		TOLERANCES ON DIMENSIONS UNLESS OTHERWISE SPECIFIED X° = ±2° .XX = ±.015 X/X = ±1/32 .XXX = ±.010 MACHINE FINISH 125T		 DFCI SOLUTIONS INC. 425 UNION BOULEVARD WEST ISLIP, NEW YORK 11795	
HEAT TREAT PER NOTE 1.		PART NO.	DRN S. Francis DATE 2-26-07	PA-3500 9 ft. RECEPTACLE, 3590-24780-H288	
FINISH CLEAN & FREE OF BURRS.		CHK F. Basil DATE 3-6-07	ENG R. OLSON DATE 3/6/07		
<small>THE FASTENER PARTS SHOWN IN THIS PRINT ARE PROPRIETARY ARTICLES TO WHICH DFCI SOLUTIONS INC. RETAINS THE EXCLUSIVE RIGHTS OF MANUFACTURE, USE AND SALE. THE PRINT OR DRAWING IS SUBMITTED IN CONFIDENCE AND DOES NOT CONVEY A LICENSE OR PERMISSION TO MANUFACTURE THE FASTENERS OR FASTENER PARTS.</small> <small>© COPYRIGHT 2007 DFCI SOLUTIONS INC. ALL RIGHTS RESERVED.</small>		NEXT ASSY	USED ON	QC B. Hill DATE 3/16/07	SIZE A FSCM NO 72794 DWG. NO. C3590-24780 REV. A
		APPLICATION BLOCK		SALES	DATE