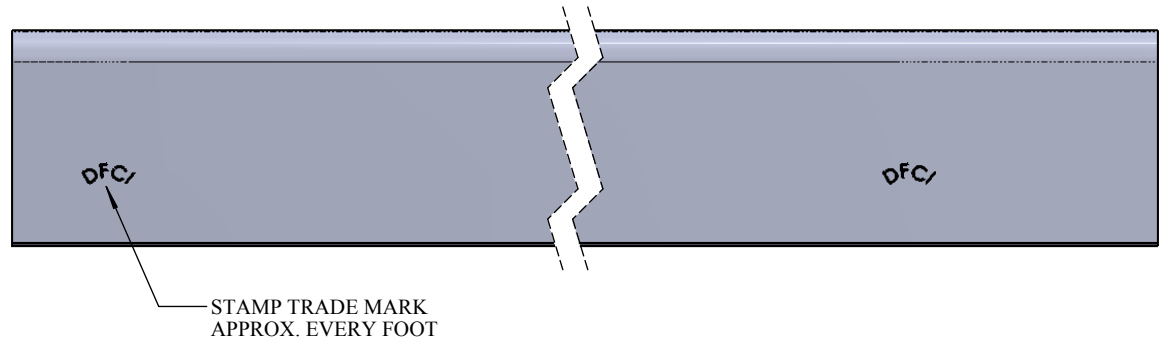


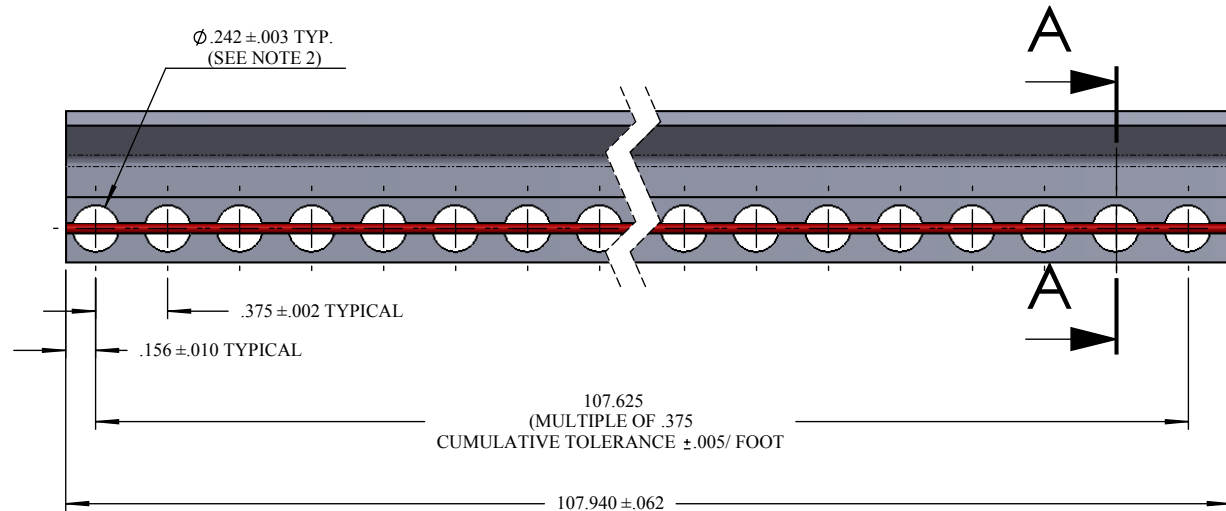
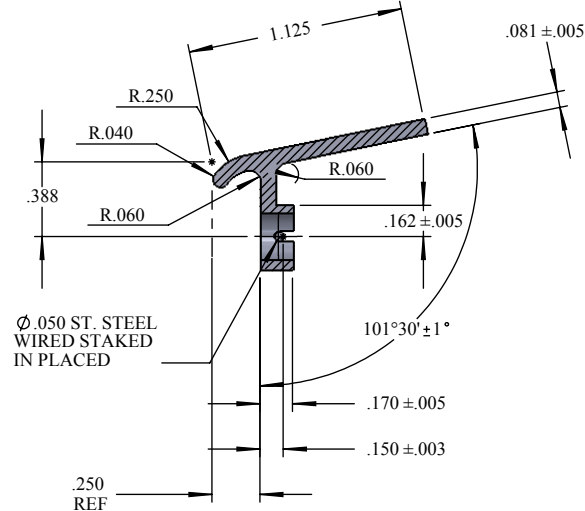
NOTES: Unless otherwise specified

- MATERIALS:  
**STRIP:** 6061-T6 ALUMINUM ALLOY PER QQ-A-200/8.  
**WIRE:** .050 DIA. STAINLESS STEEL TYPE 316, PER ASTM-A-313, SPRING TEMPER.
- SOME DISTORSION MAY ENTER THE  $\phi$ .242 HOLE, DUE TO STAKING OF WIRE. THIS WILL NOT AFFECT THE FUNCTION OF THE PRODUCT.
- PLEASE VISIT WWW.DFCIS.COM/C3590-24858 FOR A LIST OF AVAILABLE FINISHES

| REVISIONS |              |          |        |
|-----------|--------------|----------|--------|
| SYS       | DESCRIPTION  | DATE     | APPROV |
| B         | PER ECN 1245 | 06/09/14 | F. B   |



SECTION A-A



**UNCONTROLLED**

|  |                             |              |
|--|-----------------------------|--------------|
| MATERIAL: PER NOTE 1   | HEAT TREAT: TEMPER COND T6. | FINISH: NONE |
| <small>THE FASTENER PARTS SHOWN IN THIS PRINT ARE PROPRIETARY ARTICLES TO WHICH DFCI SOLUTIONS INC., RETAINS THE EXCLUSIVE RIGHTS OF MANUFACTURE, USE AND SALE. THE PRINT OR DRAWING IS SUBMITTED IN CONFIDENCE AND DOES NOT CONVEY A LICENSE OR PERMISSION TO MANUFACTURE THE FASTENER OR FASTENER PARTS.</small> |                             |              |
| <small>(C) COPYRIGHT 2009, DFCI SOLUTIONS INC. ALL RIGHTS RESERVED.</small>  |                             |              |

|   |                 |                   |                |
|---|-----------------|-------------------|----------------|
| TOLERANCES ON DIMENSIONS UNLESS OTHERWISE SPECIFIED |                 |                   |                |
| $X^\circ = \pm 2^\circ$                             |                 | .XX = $\pm .015$  |                |
| X/X = $\pm 1/32$                                    |                 | .XXX = $\pm .010$ |                |
| MACHINE FINISH = .125                               |                 |                   |                |
| PART NO.  | 3590-24858-H288 | DRN               | W. Zhindon     |
|   |                 | DATE              | 03/29/10       |
|   |                 | CHK.              | Frank Basile   |
|   |                 | DATE              | 03/30/10       |
|   |                 | ENG.              | Robert Altkorn |
|   |                 | DATE              | 03/30/10       |
|   |                 | MFG.              | Bill Velazquez |
|   |                 | DATE              | 04/01/10       |
|   |                 | G.C.              | Robert Altkorn |
|   |                 | DATE              | 03/30/10       |
| NEXT ASSY   | USED ON         | SALES.            | DATE           |
|   |                 |                   |                |

**DFCI SOLUTIONS INC.**  
 425 UNION BOULEVARD.  
 WEST ISLIP, NEW YORK 11795

|   |                |                      |              |
|---|----------------|----------------------|--------------|
| TITLE: PA-3500 LINE RECEPTACLE<br>3590-24858-H288 |                |                      |              |
| SIZE: A   | FSCM NO: 72794 | DWG. NO: C3590-24858 | REV. B       |
| SCALE: NTS  |                | WEIGHT:              | SHEET 1 OF 1 |