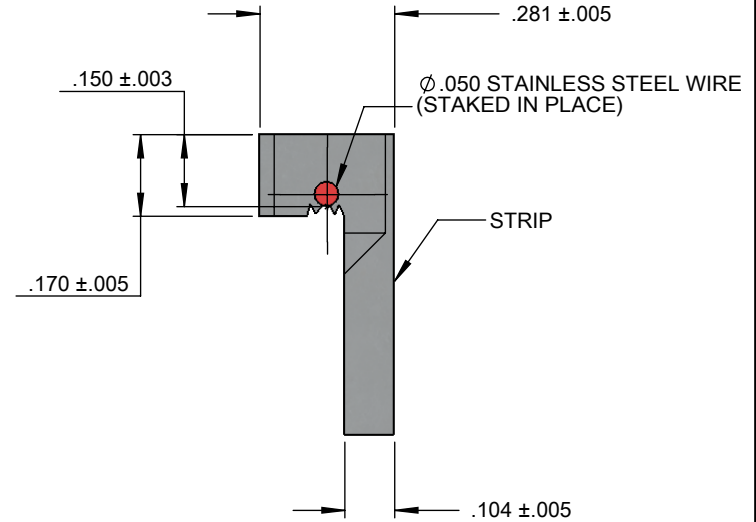
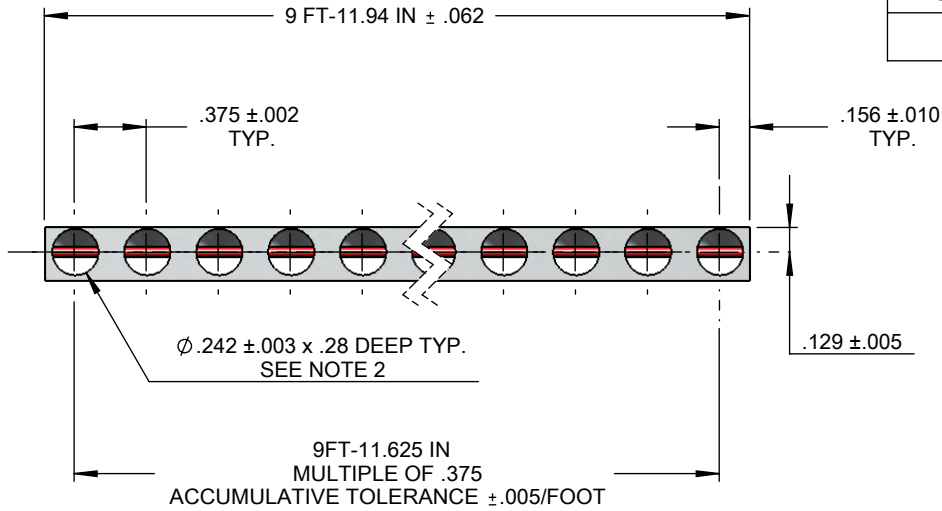
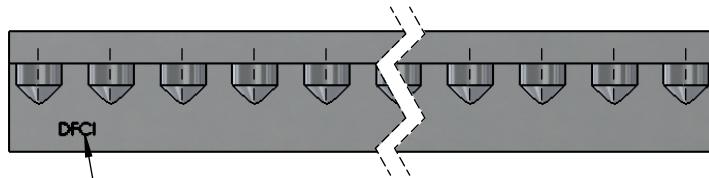


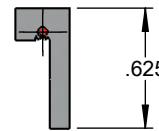
REVISIONS			
SYS	DESCRIPTION	DATE	APPROV
A	INITIAL RELEASE	04/07/14	F.B



ENLARGED VIEW



STAMP DFCI APPROX. EVERY FOOT
APPROX. WHERE SHOWN



SEE ENLARGED VIEW

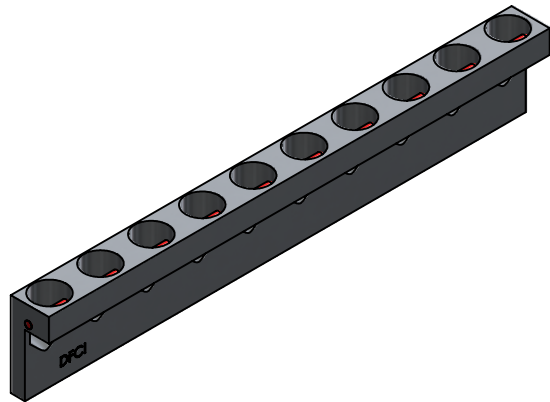
UNCONTROLLED

MATERIAL:	PER NOTE 1
HEAT TREAT:	TEMPER COND. T6
FINISH:	SEE NOTE 3
<small>THE FASTENER PARTS SHOWN IN THIS PRINT ARE PROPRIETARY ARTICLES TO WHICH DFCI SOLUTIONS INC., RETAINS THE EXCLUSIVE RIGHTS OF MANUFACTURE, USE AND SALE. THE PRINT OR DRAWING IS SUBMITTED IN CONFIDENCE AND DOES NOT CONVEY A LICENSE OR PERMISSION TO MANUFACTURE THE FASTENER OR FASTENER PARTS.</small>	
<small>(C) COPYRIGHT 2009, DFCI SOLUTIONS INC. ALL RIGHTS RESERVED.</small>	

TOLERANCES ON DIMENSIONS UNLESS OTHERWISE SPECIFIED			
X* = ±2°	.XX = ±.015	MACHINE FINISH = .125 <input checked="" type="checkbox"/>	
X/X = ±1/32	.XXX = ±.010		
PART NO.	3590-H320-NRH	DRN	DATE
		Frank Basile	04/07/14
		CHK. Frank Basile	DATE 04/07/14
		ENG. Peter Altkorn	DATE 04/07/14
		MFG. Radu Leban	DATE 04/07/14
		Q.C. Peter Altkorn	DATE 04/07/14
NEXT ASSY	USED ON	SALES.	DATE

DFCI SOLUTIONS INC.
425 UNION BOULEVARD.
WEST ISLIP, NEW YORK 11795

TITLE PA-3500 LINE RECEPTACLE NO RIVET HOLES			
3590-H320-NRH			
SIZE	FSCM NO	DWG. NO.	REV
A	72794	C3590-NRH	A
SCALE: NTS		WEIGHT:	SHEET 1 OF 2




REVISIONS			
SYS	DESCRIPTION	DATE	APPROV
A	INITIAL RELEASE	04/07/14	F.B

PART NUMBER	NUMBER OF ϕ .242 HOLES PER STRIP
3590-H320-NRH	320

NOTES:

- MATERIALS:
STRIP: 6061-T6 ALUMINUM ALLOY PER QQ-A-200/8
WIRE: ϕ .050 STAINLESS STEEL TYPE 316, PER ASTM-A-313, SPRING TEMPER
- SOME DISTORSION MAY ENTER THE ϕ .242 HOLE, DUE TO STAKING OF WIRE. THIS WILL NOT AFFECT THE FUNCTION OF THE PRODUCT.
- PLEASE VISIT WWW.DFCIS.COM/C3590 FOR A LIST OF AVAILABLE FINISHES.

UNCONTROLLED

MATERIAL: PER NOTE 1	TOLERANCES ON DIMENSIONS UNLESS OTHERWISE SPECIFIED X* = $\pm 2^*$.XX = $\pm .015$ X/X = $\pm 1/32$.XXX = $\pm .010$ MACHINE FINISH = .125 \checkmark				 DFCI SOLUTIONS INC. 425 UNION BOULEVARD. WEST ISLIP, NEW YORK 11795
HEAT TREAT: TEMPER COND. T6	PART NO. 3590-H320-NRH	DRN <i>Frank Basile</i> DATE 04/07/14	CHK. <i>Frank Basile</i> DATE 04/07/14	ENG. <i>Frank Basile</i> DATE 04/07/14	
FINISH: SEE NOTE 3		MFG. <i>Rashm Lubman</i> DATE 04/07/14	G.C. <i>Frank Basile</i> DATE 04/07/14	SALES. <i>Frank Basile</i> DATE 04/07/14	TITLE PA-3500 LINE RECEPTACLE NO RIVET HOLES 3590-H320-NRH
THE FASTENER PARTS SHOWN IN THIS PRINT ARE PROPRIETARY ARTICLES TO WHICH DFCI SOLUTIONS INC., RETAINS THE EXCLUSIVE RIGHTS OF MANUFACTURE, USE AND SALE. THE PRINT OR DRAWING IS SUBMITTED IN CONFIDENCE AND DOES NOT CONVEY A LICENSE OR PERMISSION TO MANUFACTURE THE FASTENER OR FASTENER PARTS. (C) COPYRIGHT 2009, DFCI SOLUTIONS INC. ALL RIGHTS RESERVED.	NEXT ASSY	USED ON	APPLICATION BLOCK	SALES.	SIZE A FSCM NO 72794 DWG. NO. C3590-NRH REV A SCALE: NTS WEIGHT: SHEET 2 OF 2