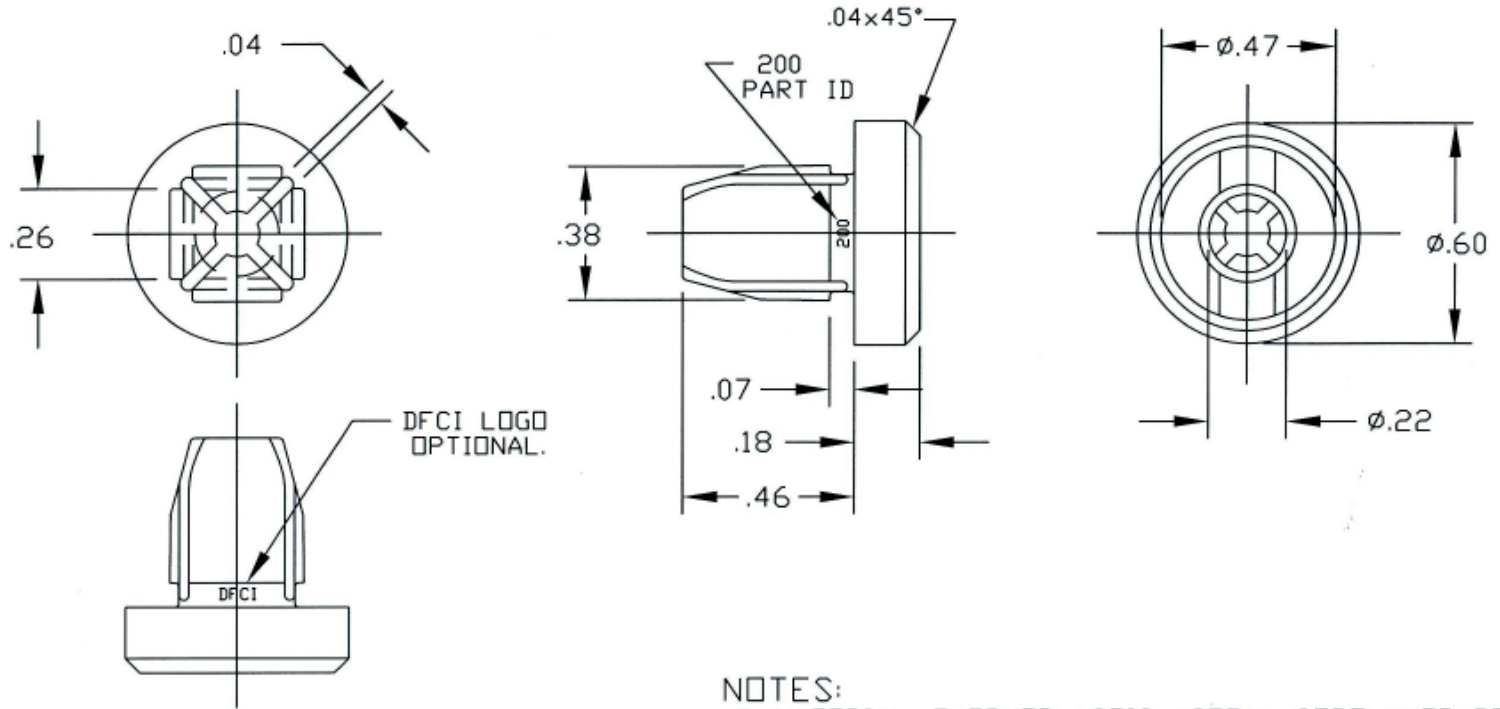


UNCONTROLLED

C4600-802 REV. **A**

REVISIONS			
SYM	DESCRIPTION	DATE	APPROV
A	INITIAL RELEASE PER ECN 845	8-10-09	<i>FB</i>



NOTES:
1. MATERIAL: THERMOPLASTIC ACETAL COPOLYMER RESIN.

PART NO.	WEIGHT LBS.	STANDARD COLOR
4600-802-BK	.0027	BLACK

MAT'L PER NOTE 1.	TOLERANCES ON DIMENSIONS UNLESS OTHERWISE SPECIFIED X = ±2° .XX = ±.015 X/X = ±1/32 .XXX = ±.010		MACHINE FINISH .125		DFCI SOLUTIONS INC. 425 UNION BOULEVARD WEST ISLIP, NEW YORK 11795
HEAT TREAT NONE.	PART NO.	DRN S. F. Francis	DATE 8-10-09	TITLE AR-4610 LINE RECEPTACLE, 4600-802-BK.	
FINISH CLEAN & FREE OF BURRS.		CHK F. Basil	DATE 8-13-09	ENG B. Hildebrand	DATE 8-13-09
		MFR B. Hildebrand	DATE 8-13-09	QC B. Hildebrand	DATE 8-13-09
	NEXT ASSY	USED ON	SALES	DATE	SIZE A
	APPLICATION BLOCK		DATE	SCALE NTS	FSCM NO 72794
					DWG. NO. C4600-802
					REV. A
					WT.
					SHEET 1 OF 1

DATE: 07/01/06 FORM: DRAWING

The parts shown in this print are proprietary articles to which DFCI Solutions, Inc. retains the exclusive rights of manufacture, use and sale. The print or drawing is submitted in confidence and does not convey a license or permission to manufacture the parts. Copyright © 2009 by DFCI Solutions, Inc. All rights reserved.