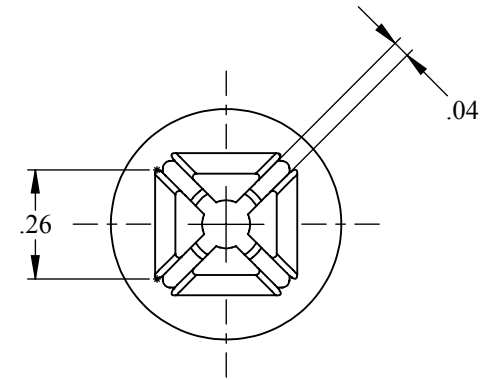
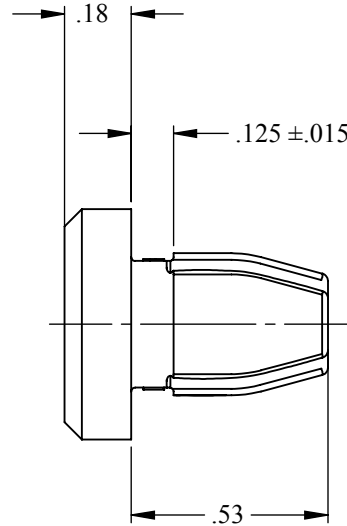
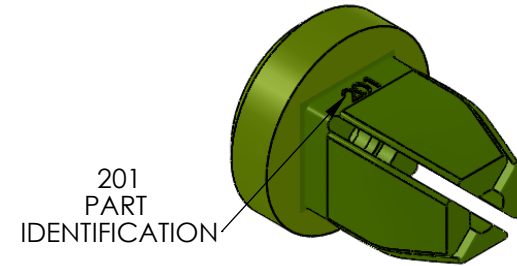
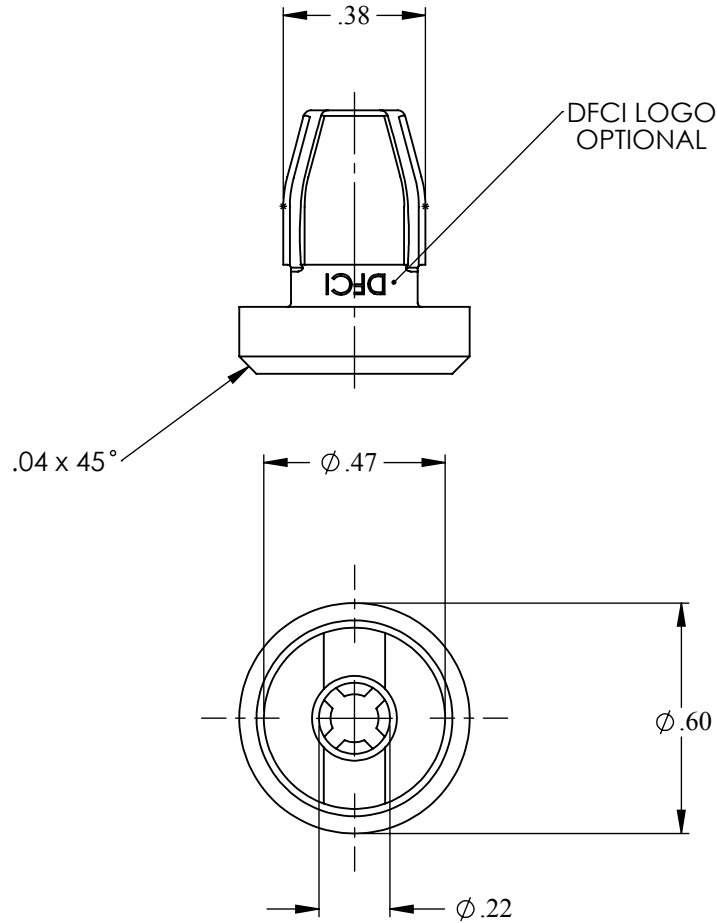


UNCONTROLLED

REVISIONS			
SYS	DESCRIPTION	DATE	APPROV
A	PER ECN 845	4/7/2011	



MATERIAL:	THERMOPLASTIC ACETAL COPOLYMER RESIN, BLACK
HEAT TREAT:	NONE
FINISH:	NONE
<small>THE FASTENER PARTS SHOWN IN THIS PRINT ARE PROPRIETARY ARTICLES TO WHICH DFCI SOLUTIONS INC., RETAINS THE EXCLUSIVE RIGHTS OF MANUFACTURE, USE AND SALE. THE PRINT OR DRAWING IS SUBMITTED IN CONFIDENCE AND DOES NOT CONVEY A LICENSE OR PERMISSION TO MANUFACTURE THE FASTENER OR FASTENER PARTS.</small>	
<small>(C) COPYRIGHT 2009, DFCI SOLUTIONS INC. ALL RIGHTS RESERVED.</small>	

TOLERANCES ON DIMENSIONS UNLESS OTHERWISE SPECIFIED			
X* = ±1/2"	.XX = ±.015	CONCENTRICITY F.I.M. .005	
X/X = ±1/64	.XXX = ±.010	MACHINE FINISH = .63	
PART NO.	4601-802-BK	DRN	Frank Basile DATE 4/7/11
		CHK.	Frank Basile DATE 4/7/11
		ENG.	John Altkorn DATE 4/7/11
		MFG.	Chetan J. Parikh DATE 4/7/11
		Q.C.	John Altkorn DATE 4/7/11
		SALES.	
NEXT ASSY	USED ON		
APPLICATION BLOCK			

		DFCI SOLUTIONS INC. 425 UNION BOULEVARD. WEST ISLIP, NEW YORK 11795	
TITLE			
AR-4610 LINE RECEPTACLE 4601-802-BK			
SIZE	FSCM NO.	DWG. NO.	REV.
A	72794	C4601-802	A
SCALE: NTS		WEIGHT: .0029 LBS.	SHEET 1 OF 1