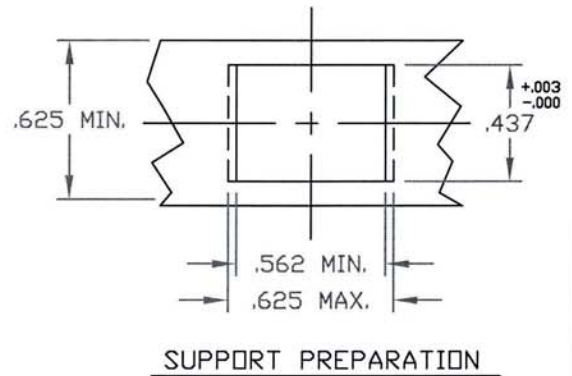
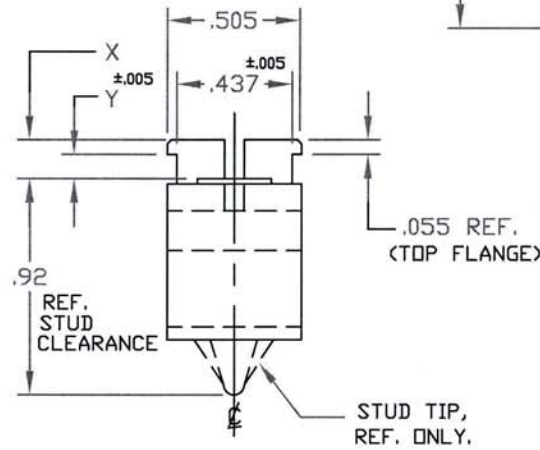
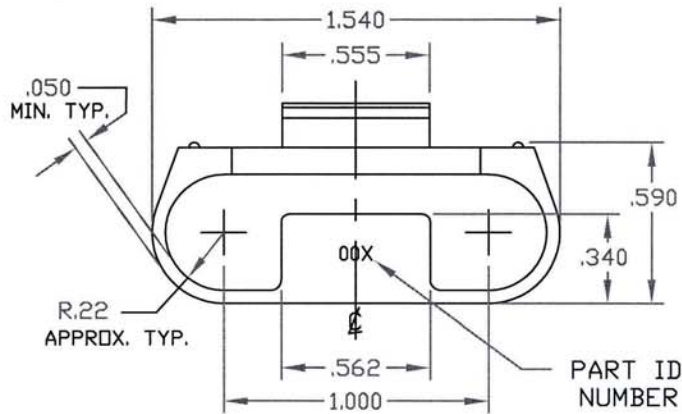
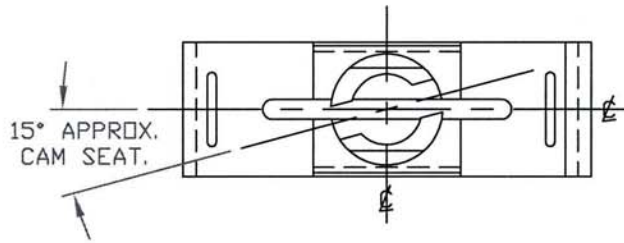


UNCONTROLLED

C4604-002 REV. *B*

REVISIONS			
SYM	DESCRIPTION	DATE	APPROV
B	ADD CAM SEAT TO 15° ECN 1130	2-18-09	<i>FB</i>



PART NO.	"X" DIM'S.	"Y" DIM'S.	PART ID NO.	SUPPORT RANGE	WEIGHT	COLOR
4604-2-BK	.110	.063	002	.032 - .050	.0091	BLACK
4604-3-BK	.143	.092	003	.064 - .080		
4604-4-BK	.167	.119	004	.090 - .104		
4604-5-BK	.198	.153	005	.119 - .135		
4604-6-BK	.228	.173	006	.149 - .165		

NOTES:
 1. MATERIAL: ACETAL COPOLYMER RESIN.
 2. CUSTOM COLORS ARE DONE ON SPECIAL ORDERS.

MAT'L PER NOTE 1.	TOLERANCES ON DIMENSIONS UNLESS OTHERWISE SPECIFIED $X^* = \pm 2^*$.XX = $\pm .015$ $X/X = \pm 1/32$.XXX = $\pm .010$ MACHINE FINISH 125/		DFCI SOLUTIONS INC. 425 UNION BOULEVARD WEST ISLIP, NEW YORK 11795		
HEAT TREAT NONE.	PART NO.	DRN <i>S. Francis</i> DATE 1-8-09	DA-4600 SNAP-IN RCPTCLE, 4604-xx-BK.		
FINISH CLEAN & FREE OF BURRS.		CHK <i>F. Basily</i> DATE 2-19-09	SIZE A	FSCM NO 72794	DWG. NO. C4604-002
<small>THE FASTENER PARTS SHOWN ON THIS PRINT ARE PROPRIETARY ARTICLES TO WHICH DFCI SOLUTIONS INC. RETAINS THE EXCLUSIVE RIGHTS OF MANUFACTURE, USE AND SALE. THE PRINT OR DRAWING IS SUBMITTED IN CONFIDENCE AND DOES NOT CONVEY A LICENSE OR PERMISSION TO MANUFACTURE THE FASTENER OR FASTENER PARTS.</small> <small>© COPYRIGHT 2009, DFCI SOLUTIONS INC. ALL RIGHTS RESERVED.</small>	NEXT ASSY	USED ON	SCALE NTS	WT.	REV. B
DATE: 07/01/06	FORM: DRAWING	APPLICATION BLOCK	SALES	DATE	SHEET 1 OF 1