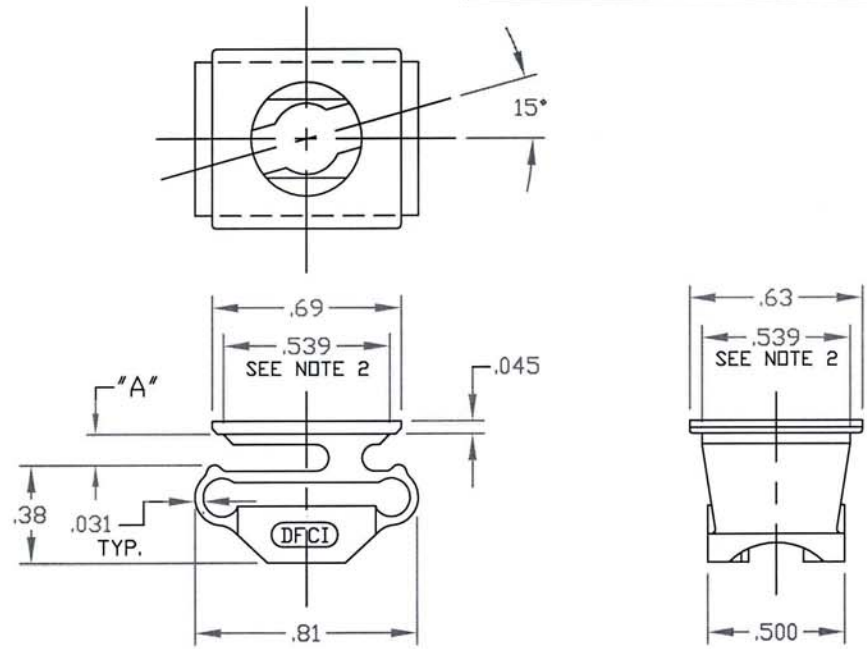


UNCONTROLLED

C4604-R REV. C

REVISIONS			
SYM	DESCRIPTION	DATE	APPROV
C	CHNG DWG TITLE BLOCK ECN1099	9-18-08	R.C.



PART NO.	"A"	SUPPORT RANGE:	COLOR
4604-R11-BK	.052	.035 - .049	BLACK
4604-R12-BK	.072	.050 - .069	
4604-R13-BK	.092	.070 - .089	
4604-R14-BK	.112	.090 - .109	
4604-R15-BK	.132	.110 - .129	

NOTES:

1. MATERIAL: ACETAL COPOLYMER RESIN, TX90, PLASTIC.
2. TO SUIT SUPPORT HOLE SIZE .551+0.008/-0.000 SQR.

MATL PER NOTE 1.	TOLERANCES ON DIMENSIONS UNLESS OTHERWISE SPECIFIED X° = ±2° .XX = ±.015 X/X = ±1/32 .XXX = ±.010 MACHINE FINISH 125T		DFCI SOLUTIONS INC. 425 UNION BOULEVARD WEST ISLIP, NEW YORK 11795	
HEAT TREAT NONE.	PART NO.	DRN S. FRANCIS DATE 1-13-04	TITLE DA-4600 LINE RECEPTACLE, 4604-Rxx-BK.	
FINISH CLEAN & FREE OF BURRS.		CHK F. Basil DATE 9-18-08	SIZE A	FSCM NO 72794
<small>THE FASTENER PARTS SHOWN IN THIS PRINT ARE PROPRIETARY ARTICLES TO WHICH DFCI SOLUTIONS INC. RETAINS THE EXCLUSIVE RIGHTS OF MANUFACTURE, USE AND SALE. THE PRINT OR DRAWING IS SUBMITTED IN CONFIDENCE AND DOES NOT CONVEY A LICENSE OR PERMISSION TO MANUFACTURE THE FASTENER OR FASTENER PARTS. © COPYRIGHT 2008, DFCI SOLUTIONS INC. ALL RIGHTS RESERVED.</small>		ENG K. Colborn DATE 9-18-08	DWG. NO. C4604-R	REV. C
	NEXT ASSY	USED ON	MFG DATE 7-17-08	SCALE NTS
	APPLICATION BLOCK	SALES	DATE 9-18-08	WT.
			SHEET 1 OF 1	

DATE: 07/01/06 FORM: DRAWING