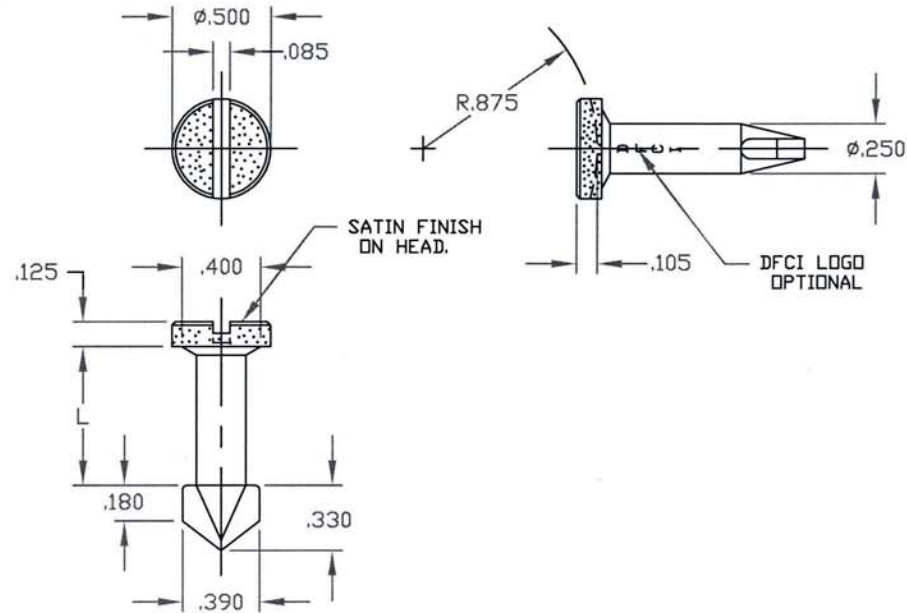


UNCONTROLLED

C4614-WR REV. *d*

REVISIONS			
SYM	DESCRIPTION	DATE	APPROV
C	CHNG TO MFG.DWG. ECN 1100	9-25-08	<i>R-C</i>



PART NO.	L	COLOR
4614-45-BK-WR	.450	BLACK
4614-50-BK-WR	.500	
4614-55-BK-WR	.550	
4614-60-BK-WR	.600	
4614-65-BK-WR	.650	
4614-70-BK-WR	.700	
4614-75-BK-WR	.750	
4614-80-BK-WR	.800	
4614-85-BK-WR	.850	
4614-90-BK-WR	.900	
4614-95-BK-WR	.950	
4614-100-BK-WR	1.000	
4614-105-BK-WR	1.050	
4614-110-BK-WR	1.100	
4614-112-BK-WR	1.120	
4614-130-BK-WR	1.300	

MAT'L ACETAL COPOLYMER RESIN, (UV/WEATHER RESISTANT)		TOLERANCES ON DIMENSIONS UNLESS OTHERWISE SPECIFIED $X^* = \pm 2^*$ .XX = $\pm .015$ $X/X = \pm 1/32$ .XXX = $\pm .010$ MACHINE FINISH 125/		DFCI SOLUTIONS INC. 425 UNION BOULEVARD WEST ISLIP, NEW YORK 11795	
HEAT TREAT NONE.		PART NO. DRN S. F. <i>Rivas</i> DATE 10-21-04 CHK <i>F. Basile</i> DATE 9-26-08 ENG <i>Blair Rodin</i> DATE 9-26-08 MFG <i>Blair Rodin</i> DATE 9-26-08 QC <i>Blair Rodin</i> DATE 9-26-08		TITLE DA-4600 LINE FASTENER, 4614-xxx-BK-WR.	
FINISH CLEAN AND FREE OF BURRS. AND FLASHES.		NEXT ASSY USED ON APPLICATION BLOCK SALES DATE		SIZE A FSCM NO 72794 DWG. NO. C4614-WR REV. C	
<small>THE FASTENER PARTS SHOWN IN THIS PRINT ARE PROPRIETARY ARTICLES TO WHICH DFCI SOLUTIONS INC. RETAINS THE EXCLUSIVE RIGHTS OF MANUFACTURE, USE AND SALE. THE PRINT OR DRAWING IS SUBMITTED IN CONFIDENCE AND DOES NOT CONVEY A LICENSE OR PERMISSION TO MANUFACTURE THE FASTENER OR FASTENER PARTS.</small>		SCALE NTS WT. SHEET 1 OF 1		<small>DATE: 07/01/06 FORM: DRAWING</small>	