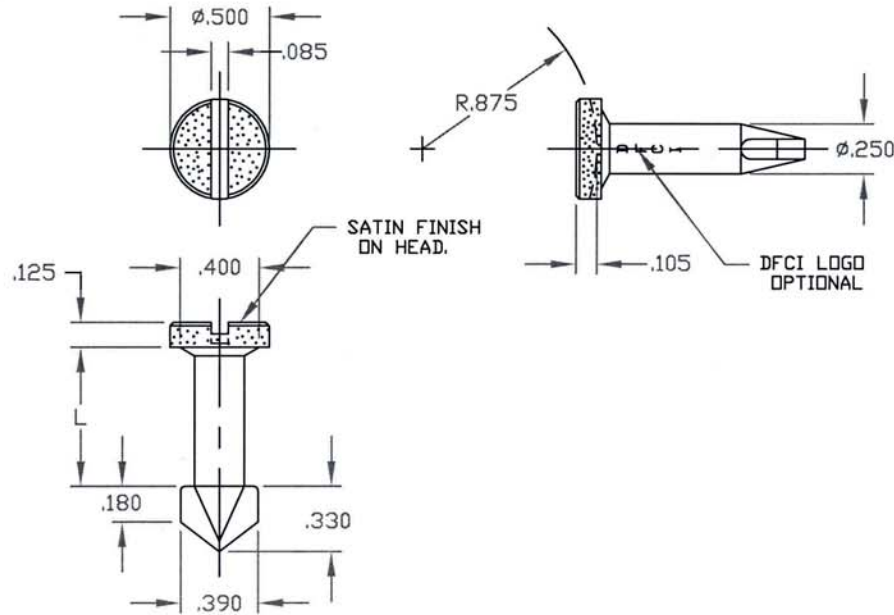


UNCONTROLLED

C4614 REV. B

REVISIONS			
SYM	DESCRIPTION	DATE	APPROV
B	CHNG TO MFG.DWG. ECN 1100	9-25-08	R.C.



PART NO.	L	COLOR
4614-45-BK	.450	STANDARD BLACK (SEE NOTE 1)
4614-50-BK	.500	
4614-55-BK	.550	
4614-60-BK	.600	
4614-65-BK	.650	
4614-70-BK	.700	
4614-75-BK	.750	
4614-80-BK	.800	
4614-85-BK	.850	
4614-90-BK	.900	
4614-95-BK	.950	
4614-100-BK	1.000	
4614-105-BK	1.050	
4614-110-BK	1.100	
4614-112-BK	1.120	

NOTES:

1. CUSTOM COLORS ARE DONE ON SPECIAL ORDERS.

MAT'L ACETAL COPOLYMER RESIN,		TOLERANCES ON DIMENSIONS UNLESS OTHERWISE SPECIFIED $X^* = \pm 2^*$.XX = $\pm .015$ $X/X = \pm 1/32$.XXX = $\pm .010$ MACHINE FINISH 125T		DFCI SOLUTIONS INC. 425 UNION BOULEVARD WEST ISLIP, NEW YORK 11795	
HEAT TREAT NONE.		PART NO. _____ DRN S. FRANCIS DATE 10-21-04 CHK F. Basile DATE 9-26-08 ENG. [Signature] DATE 5-16-08 MFG. [Signature] DATE 9-26-08		TITLE DA-4600 LINE FASTENER, 4614-xxx-BK	
FINISH CLEAN AND FREE OF BURRS. AND FLASHES.		NEXT ASSY _____ USED ON _____ APPLICATION BLOCK SALES _____ DATE _____		SIZE A FSCM NO 72794 DWG. NO. C4614 REV. B	SCALE NTS WT. SHEET 1 OF 1

DATE: 07/01/06 FORM: DRAWING