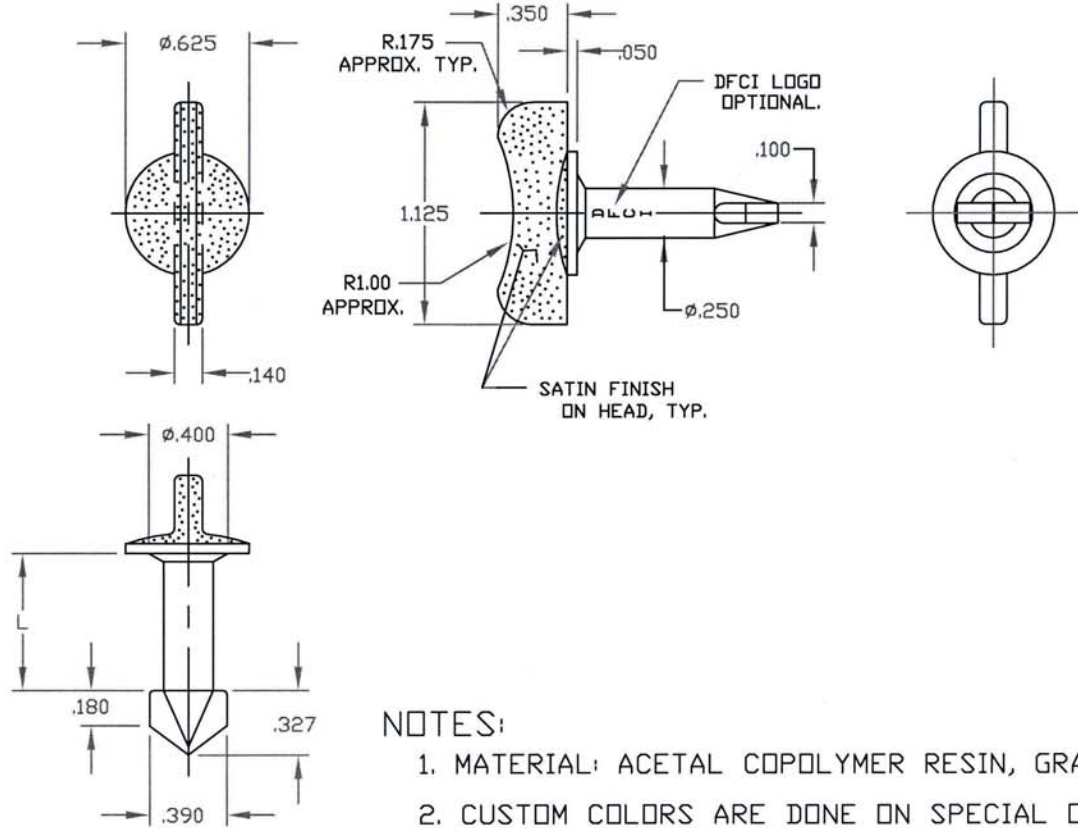


UNCONTROLLED


C4624 REV. B

REVISIONS			
SYM	DESCRIPTION	DATE	APPROV
B	CHNG COC# MFG DWG, ECN 1103	10-6-08	R.C.



PART NO.	L	COLOR
4624-45-BK	.450	BLACK (STANDARD)
4624-50-BK	.500	
4624-55-BK	.550	
4624-60-BK	.600	
4624-65-BK	.650	
4624-70-BK	.700	
4624-75-BK	.750	
4624-80-BK	.800	
4624-85-BK	.850	
4624-90-BK	.900	
4624-95-BK	.950	
4624-100-BK	1.000	
4624-110-BK	1.100	

NOTES:
 1. MATERIAL: ACETAL COPOLYMER RESIN, GRADE M90.
 2. CUSTOM COLORS ARE DONE ON SPECIAL ORDERS.

MAT'L PER NOTE 1.	TOLERANCES ON DIMENSIONS UNLESS OTHERWISE SPECIFIED $X^* = \pm 2^*$.XX = $\pm .015$ $X/X = \pm 1/32$.XXX = $\pm .010$ MACHINE FINISH 125		 DFCI SOLUTIONS INC. 425 UNION BOULEVARD WEST ISLIP, NEW YORK 11795	
HEAT TREAT NONE.	PART NO.	DRN S. F. R. R. J. J. J.	DATE 9-23-08	DA-4600 LINE WING HD. STUD, 4624-xx-BK.
FINISH CLEAN & FREE OF BURRS.		CHK F. Basile	DATE 10-7-08	
<small>THE FASTENER PARTS SHOWN IN THIS PRINT ARE PROPRIETARY ARTICLES TO WHICH DFCI SOLUTIONS INC. RETAINS THE EXCLUSIVE RIGHTS OF MANUFACTURE, USE AND SALE. THE PRINT OR DRAWING IS SUBMITTED IN CONFIDENCE AND DOES NOT CONVEY A LICENSE OR PERMISSION TO MANUFACTURE THE FASTENER OR FASTENER PARTS.</small> <small>© COPYRIGHT 2003, DFCI SOLUTIONS INC. ALL RIGHTS RESERVED.</small>	NEXT ASSY	USED ON	MFG B. Kilduff	DATE 10-7-08
	APPLICATION BLOCK	SALES	DATE	DATE 10-7-08
DATE: 07/01/06	FORM: DRAWING	SCALE NTS	WT.	REV. B
			SHEET 1 OF 1	