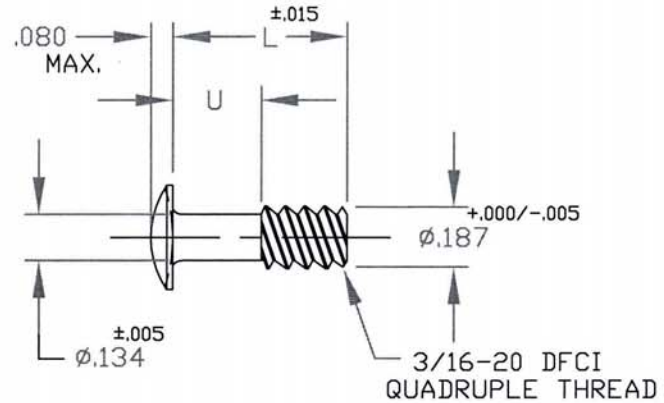
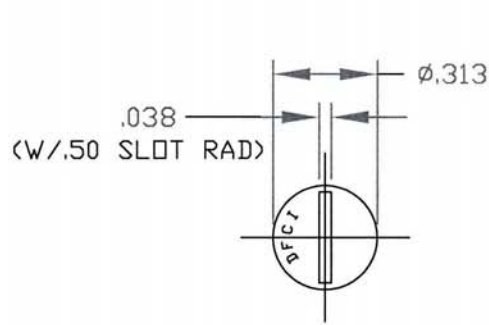


UNCONTROLLED

REVISIONS			
SYM	DESCRIPTION	DATE	APPROV
A	INITIAL RELEASE PER ECN 845	2-4-09	<i>FJB</i>



PART NO.	WEIGHT	L	U
5713-20-5-25194-SS	.0028	.420	.160
5713-20-10-25194-SS	.0030	.470	.210
5713-20-15-25194-SS	.0032	.520	.260
5713-20-20-25194-SS	.0034	.570	.310
5713-20-25-25194-SS	.0036	.620	.360
5713-20-30-25194-SS	.0038	.670	.410
5713-20-35-25194-SS	.0040	.720	.460
5713-20-40-25194-SS	.0042	.770	.510
5713-20-45-25194-SS	.0044	.820	.560
5713-20-50-25194-SS	.0046	.870	.610
5713-20-55-25194-SS	.0048	.920	.660
5713-20-60-25194-SS	.0050	.970	.710
5713-20-65-25194-SS	.0052	1.020	.760
5713-20-70-25194-SS	.0054	1.070	.810

MAT'L TYPE 17-4 STAINLESS STEEL.		TOLERANCES ON DIMENSIONS UNLESS OTHERWISE SPECIFIED X* = ±2* .XX = ±.015 X/X = ±1/32 .XXX = ±.010 MACHINE FINISH 125/		DFCI SOLUTIONS INC. 425 UNION BOULEVARD WEST ISLIP, NEW YORK 11795	
HEAT TREAT ROCKWELL C38 - 45.		PART NO.		DRN <i>S. FRANKS</i> DATE 2-4-09	
FINISH CLEAN & FREE OF BURRS.		CHECKED <i>F. Basile</i> DATE 2-9-09		TITLE UN-5700 LINE UNIV. SS STUD, 5713-20-xx-25194-SS	
<small>THE FASTENER PARTS SHOWN IN THIS PRINT ARE PROPRIETARY ARTICLES TO WHICH DFCI SOLUTIONS INC. RETAINS THE EXCLUSIVE RIGHTS OF MANUFACTURE, USE AND SALE. THE PRINT OR DRAWING IS SUBMITTED IN CONFIDENCE AND DOES NOT CONVEY A LICENSE OR PERMISSION TO MANUFACTURE THE FASTENER OR FASTENER PARTS.</small>		ENG. <i>B. Hill</i> DATE 2/19/09		SIZE A FSCM NO 72794 DWG. NO. C5713-25194 REV. A	
MFG. <i>B. Hill</i> DATE 2/16/09		USED ON		SCALE NTS WT. SHEET 1 OF 1	
NEXT ASSY		SALES <i>B. Hill</i> DATE 2/19/09		APPLICATION BLOCK	

DATE: 07/01/06 FORM: DRAWING