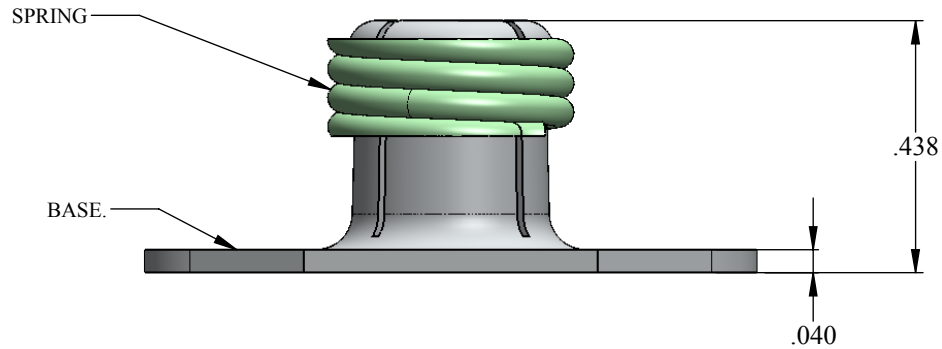
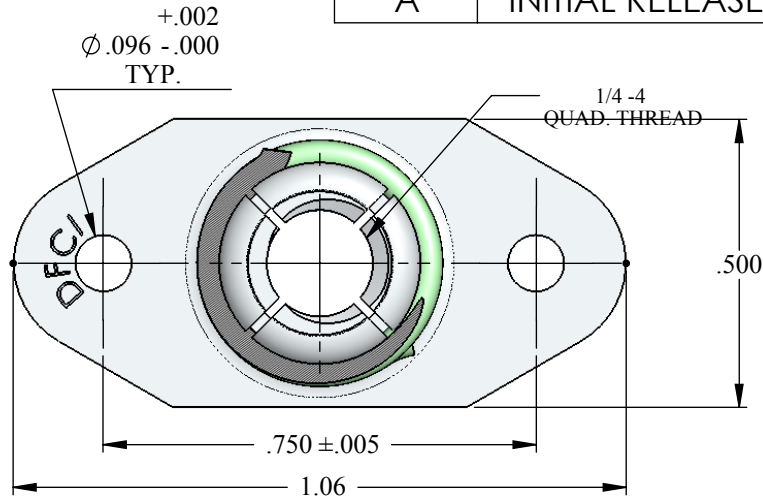


UNCONTROLLED

REVISIONS			
SYS	DESCRIPTION	DATE	APPROV
A	INITIAL RELEASE PER ECN 845	04/13/10	F.B



MATERIAL: **BASE:** TYPE 303 ST. STEEL
SPRING: TYPE 316, SPRING TEMPER

HEAT TREAT: NONE

FINISH: SPRING & BASE = NATURAL

THE FASTENER PARTS SHOWN IN THIS PRINT ARE PROPERTY ARTICLES TO WHICH DFCI SOLUTIONS INC., RETAINS THE EXCLUSIVE RIGHTS OF MANUFACTURE, USE AND SALE. THE PRINT OF DRAWING IS SUBMITTED IN CONFIDENCE AND DOES NOT CONVEY A LICENSE OR PERMISSION TO MANUFACTURE THE FASTENER OR FASTENER PARTS.

(C) COPYRIGHT 2009, DFCI SOLUTIONS INC. ALL RIGHTS RESERVED.

TOLERANCES ON DIMENSIONS UNLESS OTHERWISE SPECIFIED
X* = ±2° .XX = ±.015
X/X = ±1/32 .XXX = ±.010
MACHINE FINISH = .125/

PART NO.	5718-A4-SS	DRN	W. Zhindon	DATE	04/13/10
		CHK.	Frank Basile	DATE	04/14/10
		ENG.	Edo Altkorn	DATE	04/19/10
		MFG.	Bill Velazquez	DATE	04/19/10
		G.C.	Edo Altkorn	DATE	04/19/10
NEXT ASSY	USED ON	SALES.		DATE	



DFCI SOLUTIONS INC.
425 UNION BOULEVARD.
WEST ISLIP, NEW YORK 11795

TITLE UN-5700 RECEPTACLE ASSY.
5718-A4-SS

SIZE	FSCM NO	DWG. NO.	REV.
A	72794	C5718-A4-SS	A

SCALE: NTS WEIGHT: SHEET 1 OF 1