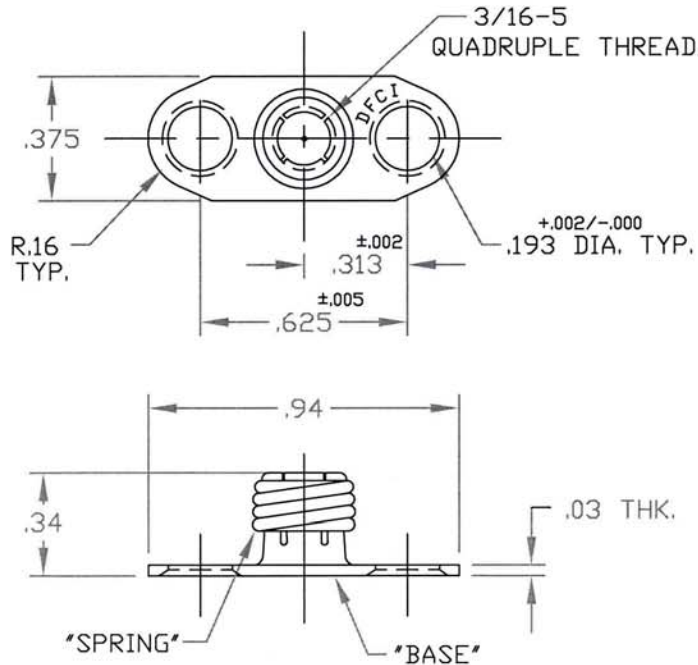



UNCONTROLLED

REVISIONS			
SYM	DESCRIPTION	DATE	APPROV
A	INITIAL RELEASE PER 845.	11-12-08	<i>FB</i>



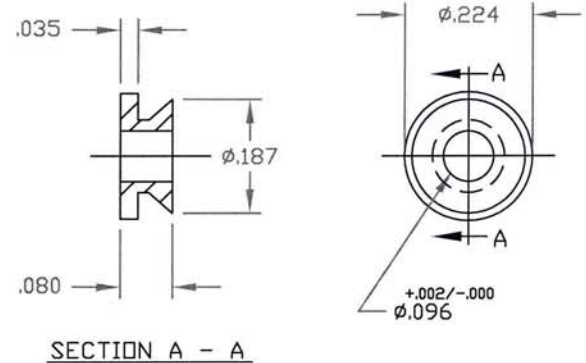
FOR PART NO. REFER TO SHEET 2 of 2

MAT'L AS NOTED ON SHT. 2.	TOLERANCES ON DIMENSIONS UNLESS OTHERWISE SPECIFIED X* = ±2* .XX = ±.015 X/X = ±1/32 .XXX = ±.010 MACHINE FINISH 125/		 <b>DFCI SOLUTIONS INC.</b> 425 UNION BOULEVARD WEST ISLIP, NEW YORK 11795	
HEAT TREAT NONE.	PART NO.	DRN <i>S. F. R. 9/5</i>	DATE 11-12-08	TITLE <b>UN-5700 RECEPTACLE ASSY.</b> <b>5718-FA3-25203.</b>
FINISH AS NOTED ON SHT. 2		CHK <i>F. Basik</i>	DATE 11-13-08	
THE FASTENER PARTS SHOWN IN THIS PRINT ARE PROPRIETARY ARTICLES TO WHICH DFCI SOLUTIONS INC. RETAINS THE EXCLUSIVE RIGHTS OF MANUFACTURE, USE AND SALE. THE PRINT OR DRAWING IS SUBMITTED IN CONFIDENCE AND DOES NOT CONVEY A LICENSE OR PERMISSION TO MANUFACTURE THE FASTENER OR FASTENER PARTS. © COPYRIGHT 2003, DFCI SOLUTIONS INC. ALL RIGHTS RESERVED.	NEXT ASSY	USED ON	DATE 11-13-08	SIZE <b>A</b>
	APPLICATION BLOCK	SALES	DATE 11/29/08	FSCM NO <b>72794</b>
				REV. <b>A</b>
				SCALE NTS WT.
				SHEET 1 OF 2

DATE: 07/01/06 FORM: DRAWING

UNCONTROLLED

REVISIONS			
SYM	DESCRIPTION	DATE	APPROV
A	INITIAL RELEASE PER 845.	11-12-08	<i>FB</i>



SPACER. (SCALED 2:1)  
(SEE NOTE 1.)

PART NO. (RECEPTACLE ASSY.)	WEIGHT (LBS.)	MATERIAL		FINISH	
		BASE	SPRING	BASE	SPRING
5718-FA3-25203 (SEE NOTE 1)	.0063	BERRYLLIUM COPPER		NATURAL	

SPACER P/N	WEIGHT (LBS.)	MATERIAL	FINISH
5718-F3-3-BC	.0005	BERRYLLIUM COPPER	NATURAL

NOTES:

- TWO ( 2 ) SPACERS P/N 5718-F3-3-BC ARE SUPPLIED W/EACH 5718-FA3-25203 RECEPTACLE.
- THE FLOAT GAP IS .025 IN ALL DIRECTIONS.

MAT'L AS NOTED ON SHT. 2.	TOLERANCES ON DIMENSIONS UNLESS OTHERWISE SPECIFIED X° = ±2° .XX = ± .015 X/X = ±1/32 .XXX = ± .010 MACHINE FINISH 125/		DFCI SOLUTIONS INC. 425 UNION BOULEVARD WEST ISLIP, NEW YORK 11795	
HEAT TREAT NONE.	PART NO.	DRN <i>S. Francis</i>	DATE 11-12-08	TITLE UN-5700 RECEPTACLE ASSY. 5718-FA3-25203.
FINISH AS NOTED ON SHT. 2		CHK <i>F. Basil</i>	DATE 11-13-08	SIZE A
<small>THE FASTENER PARTS SHOWN IN THIS PRINT ARE PROPRIETARY ARTICLES TO WHICH DFCI SOLUTIONS INC. RETAINS THE EXCLUSIVE RIGHTS OF MANUFACTURE, USE AND SALE. THE PRINT OR DRAWING IS SUBMITTED IN CONFIDENCE AND DOES NOT CONVEY A LICENSE OR PERMISSION TO MANUFACTURE THE FASTENER OR FASTENER PARTS.</small> © COPYRIGHT 2003, DFCI SOLUTIONS INC. ALL RIGHTS RESERVED.	NEXT ASSY	USED ON	DATE <i>11/30/08</i>	FSCM NO 72794
	APPLICATION BLOCK	SALES	DATE <i>11/20/08</i>	DWG. NO. C5718-FA3-25203
DATE: 07/01/06	FORM: DRAWING			REV. A
				SCALE NTS
				WT.
				SHEET 2 OF 2