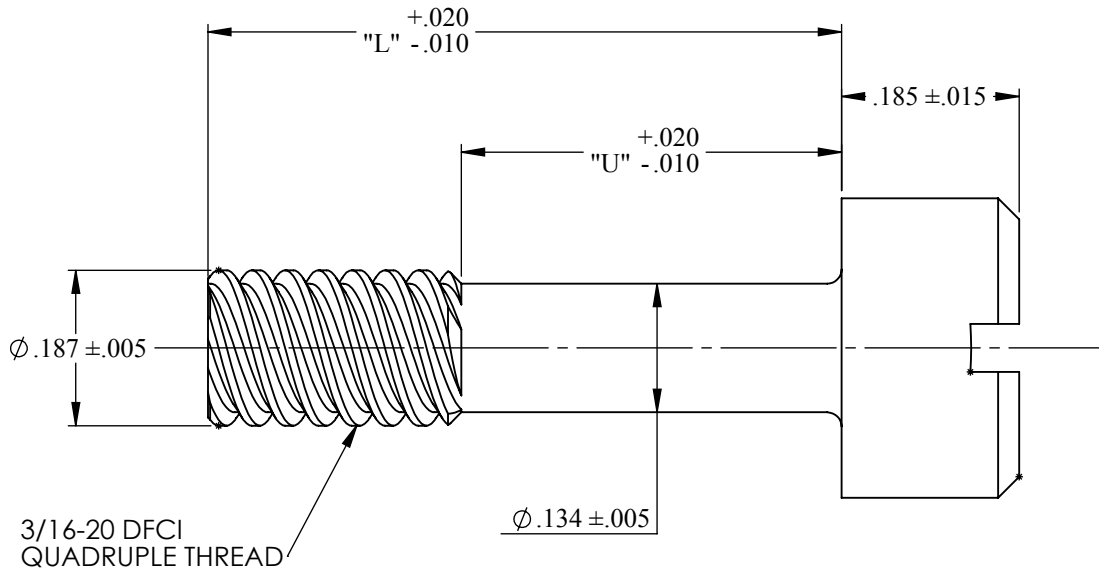
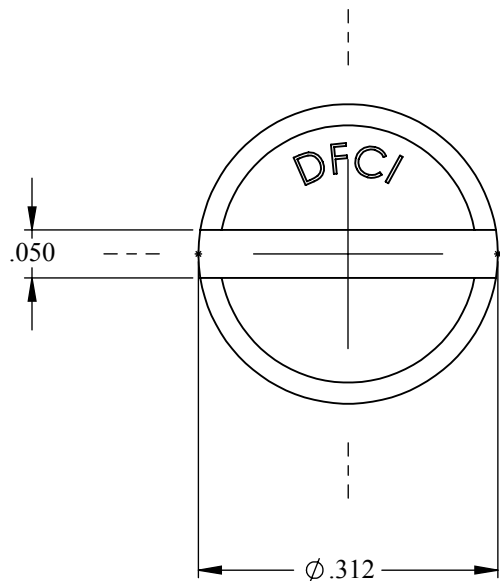


REVISIONS			
SYS	DESCRIPTION	DATE	APPROV
A	PER ECN 1168 & 845	05-02-11	



3/16-20 DFCI
QUADRUPLE THREAD

PART NUMBER	"U"	"L"
5723-20-5-25215-UNP	.160	.420
5723-20-10-25215-UNP	.210	.470
5723-20-15-25215-UNP	.260	.520
5723-20-20-25215-UNP	.310	.570
5723-20-25-25215-UNP	.360	.620
5723-20-30-25215-UNP	.410	.670
5723-20-35-25215-UNP	.460	.720
5723-20-40-25215-UNP	.510	.770

UNCONTROLLED

MATERIAL: BERYLLIUM COPPER CONDITION "H"	TOLERANCES ON DIMENSIONS UNLESS OTHERWISE SPECIFIED X* = ±2° .XX = ±.015 X/X = ±1/32 .XXX = ±.010 MACHINE FINISH = .125
HEAT TREAT: /	PART NO.
FINISH: NO FINISH	DRN <i>Frank Basile</i> DATE 05/02/11
THE FASTENER PARTS SHOWN IN THIS PRINT ARE PROPRIETARY ARTICLES TO WHICH DFCI SOLUTIONS INC., RETAINS THE EXCLUSIVE RIGHTS OF MANUFACTURE, USE AND SALE. THE PRINT OR DRAWING IS SUBMITTED IN CONFIDENCE AND DOES NOT CONVEY A LICENSE OR PERMISSION TO MANUFACTURE THE FASTENER OR FASTENER PARTS. (C) COPYRIGHT 2009, DFCI SOLUTIONS INC. ALL RIGHTS RESERVED.	CHK. <i>Frank Basile</i> DATE 05/02/11
	ENG. <i>John J. Hildebrand</i> DATE 05/02/11
	MFG. <i>Charles J. Parnell</i> DATE 05/02/11
	G.C. <i>John J. Hildebrand</i> DATE 05/02/11
NEXT ASSY	USED ON
APPLICATION BLOCK	
SALES.	DATE

TITLE	
UN-5700 SLOTTED HEAD STUD 5723-20-**-25215-UNP	
SIZE	FSCM NO.
A	72794
DWG. NO.	C5723-25215
REV.	A



DFCI SOLUTIONS INC.
425 UNION BOULEVARD.
WEST ISLIP, NEW YORK 11795

SCALE: NTS	WEIGHT:	SHEET 1 OF 1
------------	---------	--------------